

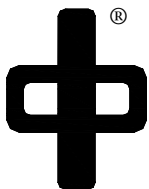
# USE AND CARE GUIDE

## QBD<sup>®</sup>

### VISI COOLER

MODEL: DC26,DC45,DC47  
CD10,CD12,CD14,CD4148,CD4154,CD4156,CD4160  
CD23,CD26,CD38,CD39,CD40,CD41,CD45,CD47

CONTENT	PAGE#
Introduction	2
Important Safety Instructions	3
Operating Your VISI Cooler	4
Preparation, Care and Cleaning	5
Installation Requirements	6
Wiring Diagrams	7-8
Reversing the Door Swing	9
Sliding Door Adjustment	10
Door Handle Installation Instruction	11
Price Sticker Holder Installation Instruction	12
Maintenance	13-14
Electronic Control Diagnostics	15
Questions? Service Contact, Warranty	16



**QBD Cooling Systems Inc.**

31 Bramstele Rd., Brampton, Ontario, Canada L6W 3K6 Tel: (905) 459-0709 Fax: (905) 459-1478

**Read this book carefully...**

It is intended to help you operate and maintain your new cooler properly. Always keep it handy.

If you don't understand something or need more help, please write or phone to:

Manager, Customer Service,  
QBD Cooling Systems Inc.  
31 Bramsteele Road,  
Brampton, Ontario,  
Canada L6W 3K6

Tel. 1(905) 459 0709  
1(800) 663 3005  
Fax. 1(905) 459 1478  
www.qbd.com  
info@qbd.com

We are proud of our service and want you to be pleased. If for some reason you are not happy with the service you receive, here are two steps to follow for further help.

**FIRST**, contact the people who serviced your cooler. Explain why you are not pleased. In most cases this will solve the problem.

**NEXT**, if you are still not pleased, write all the details - including your phone number to QBD's above address or fax. at: 1(905) 459 1478 or call : 1(905) 459 0709 ; 1(800) 663 3005.

E-Mail- info@qbd.com

**If you received a damaged cooler . . .**

**Immediately contact the carrier that delivered you the cooler for all your claims.**

All goods are shipped at the customers risk.

Return of goods to the factory must have the authorized approval of QBD.

No returns will be accepted after 10 days.

Any shortage claims must be made within 5 days of receiving the goods.

**How to unpack your cooler. . .**

For maximum protection It is recommended that none of the packaging materials be removed before the cooler has reached its final operating location.

First remove all the outer packing material from the cooler.

Now dismantle the skid below the base of the cooler by tilting the cooler to one side (right). Before tilting the cooler *make sure* that door is properly *secured from opening*.

Use a wrench to remove the skid bolts-legs **OR** use a slot screwdriver and a hammer to split and remove the skid board.

Repeat the same operation by tilting the cooler to its opposite (left) side.

Removal of Door Support Bracket should only be done once the cooler has reached its final operating location!

\*Retain this door support bracket and fasteners for future relocating of the cooler. (to a new operating location)

**Save time and money. Before you request service. . .**

Check the Problem Solver in the back of this book. It lists the minor operating problems that you can solve yourselves.

**Write down the model and serial numbers.**

You will see them on a label in the cooler. Please write these numbers and the purchase date here:

Model Number: \_\_\_\_\_ Serial Number: \_\_\_\_\_ Purchase Date: \_\_\_\_\_

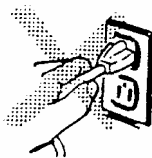


**Read all instructions before using this appliance.**

- This cooler **must not** be stored outdoor or in ambient conditions where the temperature may exceed **90° F (32.2°C)**, or in **direct sunlight**. Even if the Serial Plate shows “Suitable for Outdoor Use” the Cooler should not be stored under **direct sunlight**.
- This cooler is designed to be used **indoor only** unless specifically mentioned on the Serial Plate “Suitable for Outdoor Use”, in ambient conditions of **65°-90° F ( 18°-32°C)** with **60%** relative humidity.

**WARNING !** When using this appliance, always exercise basic safety precautions, including the following:

- Use this cooler only for its intended purpose as described in this Use and Care Guide.
- This cooler must be properly installed in accordance with the **Installation Instructions** before it is used. See grounding instructions and the Installation Sections.
- For trouble free operation, it is recommended that the condenser be cleaned every 1 to 2 month. **Failure to clean condenser can cause compressor malfunction and VOID WARRANTY.**
- **Never unplug your cooler by pulling on the power cord.** Always grip plug firmly and pull straight out from the outlet.



- **Repair or replace immediately all electric service cords that become frayed or otherwise damaged.** Do not use a cord that shows cracks or abrasion along its length or at either the plug or connector end.
- **Unplug the cooler before cleaning and making repairs.**  
Note: We strongly recommend that any servicing be performed by a qualified Technician.



- **Before replacing a burnt out lamp, the cooler should be unplugged** in order to avoid contact with a live wire filament. [A burned out lamp may break when being replaced.]  
Note: Turning the control to the OFF or “O” position does not remove power to the light circuit.
- **Do not store or use gasoline or other flammable vapors and liquids in the vicinity of this or any other appliance.**



## Energy - Saving Tips. . .

Location of your cooler is important. Avoid locating it next to a vent or where the sun will shine directly on the appliance.

Close the door as soon as possible, particularly in a hot and humid weather.

Keep back of the cooler minimum 3 in.(76. mm) away from the wall.

Clean Condenser frequently, every 1 to 2 month.

## Temperature Control Dial

The temperature control dial has settings from 1 to 9 plus “OFF” or “O”.

1 is the warmest setting.

9 is the coldest setting.

Initially set the temperature to the recommended setting shown on the cabinet serial-name plate, this setting is for ambient condition of 75° F ( $\pm 2^\circ$ F). For every 5 degree rise in ambient temperature the control setting should be moved 1 digit warmer (backwards). For example if the serial-name plate shows control setting as #6, for setting in a 90° F ambient set the controller dial to # 3.

After using the cooler for 24 hours, adjust the temperature control to the setting that is best suited for your needs.

**NOTE : If the cooler is unplugged or turned off, you must allow 5 minutes before starting it or plugging it back in.** If you attempt to restart it in less than 5 minutes, it may not restart and it may damage the compressor and **VOID WARRANTY**.

Turning the temperature control dial to “OFF” or “O” stops cooling but does not shut off power to the cooler.

## Shelves

Model's are supplied with flat or gravity shelves, as ordered.

The shelves can have 'Price Holders' (Optional) added to their front edges for pricing and / or strategic brand placement.

The factory recommended shelf positions are as follows;

**DC Models** -The bottom shelf is placed directly onto the stainless steel interior floor of the cooler cabinet. (No clips needed)

-The remaining four shelves are placed according to the product (height) sizing.

**CD Models** - The bottom shelf is placed directly on the stainless steel Base Step placed inside the Cooler. (No clips needed). Never remove the Base Step from the Cooler & place the shelf directly on the inner floor of the Cooler, this will cause less or no cooling, due to improper air circulation in the Cooler .

## Leveling Legs

Adjustable legs at the front should be set so that the cooler is firmly positioned on the floor. Turn leveling legs counterclockwise to raise the cooler, clockwise to lower it.

## Replacing Lamps

When replacing a lamp, please ensure that the lamp is turned to the lock position, thereby ensuring that the lamp pins are making a proper & secure contact with the socket terminals. Failure to do so will result in arching & burning of the sockets & or lamps.



## Location

The cooler must be installed on a level floor, strong enough to support it when it is fully loaded.

## Free standing

Cooler are designed for freestanding installations only. It should not be recessed or built-in.

## Clearances

Allow the following clearances for ease of installation, door opening and proper air circulation:

Top .....	2"
Hinge Side.....	1 1/4"
Non Hinge Side.....	1/2"
Back.....	3"

## Preparing to Move

**Disconnect the power cord** from wall outlet and remove the product. Then clean and dry the interior. **Secure all loose items** such as shelves by taping them securely in place to prevent damage.

For all hinged doors install the Door Support Bracket (QBD Part Number 47-0031-968) which was originally shipped with the cooler. If the Door Support Bracket is missing, a new bracket complete with hardware is available from QBD's Order Desk.

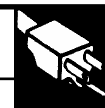
\*It is **critical** that the correct Door Support Bracket (QBD Part Number 47-0031-968) and hardware be installed prior to moving the cooler! (to a new operating location)

**Be sure cooler stays in upright position** during actual moving. Cooler & its doors must be secured/supported in transit to prevent movement. Protect outside of cooler with a blanket.

**Note :** Never transport the cooler without using the manufacturing skid or pellet, this will prevent damage to the door and cooler in transit.

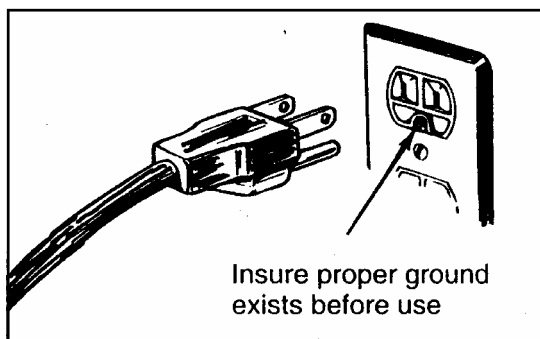
## Preparing to shut down the cooler

**For an extended period of absence**, unplug the cooler. Clean the interior with baking soda solution of one tablespoon of soda to one quart of water. Wipe dry. To prevent odors, leave an open box of baking soda in the cooler. It will also help to leave the door's open.

**IMPORTANT! Please Read Carefully****How to connect electricity ?****For personal safety, this appliance must be properly grounded.**

The power cord of this cooler is equipped with a three-prong (grounding) plug which mates with a standard three-prong (grounding) wall outlet to minimize the possibility of electric shock hazard from this appliance. Have the wall outlet and circuit checked by a qualified electrician to make sure the outlet is properly grounded. If you have only a standard two-prong wall outlet, it is your personal responsibility and obligation to have it replaced with a properly grounded three-prong wall outlet.

**DO NOT, UNDER ANY CIRCUMSTANCES, CUT OR REMOVE THE THIRD (GROUNDING) PRONG FROM THE POWER CORD.**

**Electrical Requirements**

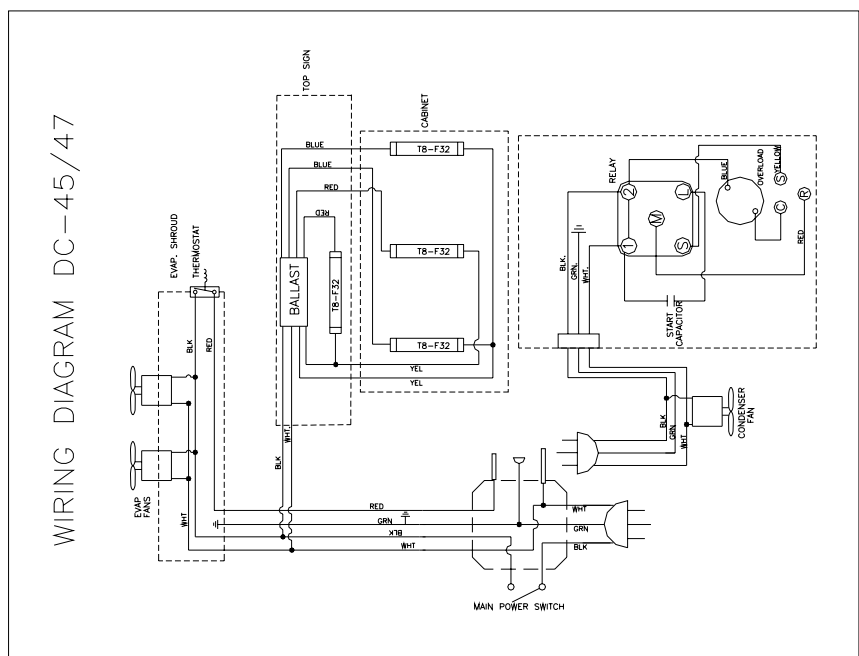
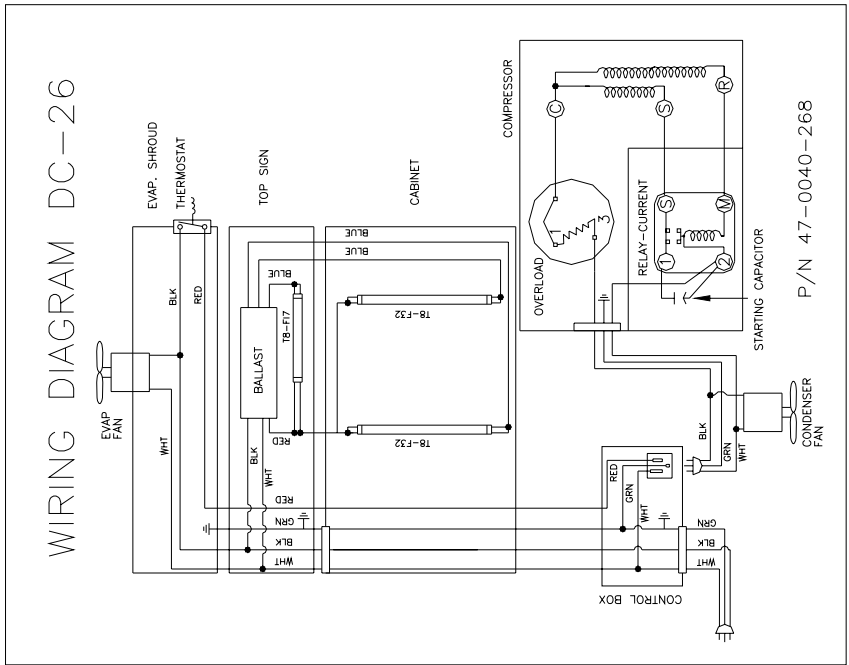
**The cooler should always be plugged into its own individual electrical outlet** which has a voltage rating that matches the rating plate.

This provides the best performance and also prevents overloading the wiring circuits that may cause a fire hazard from the overheated wires.

See the Electrical Schematic Diagram for each model in this manual.

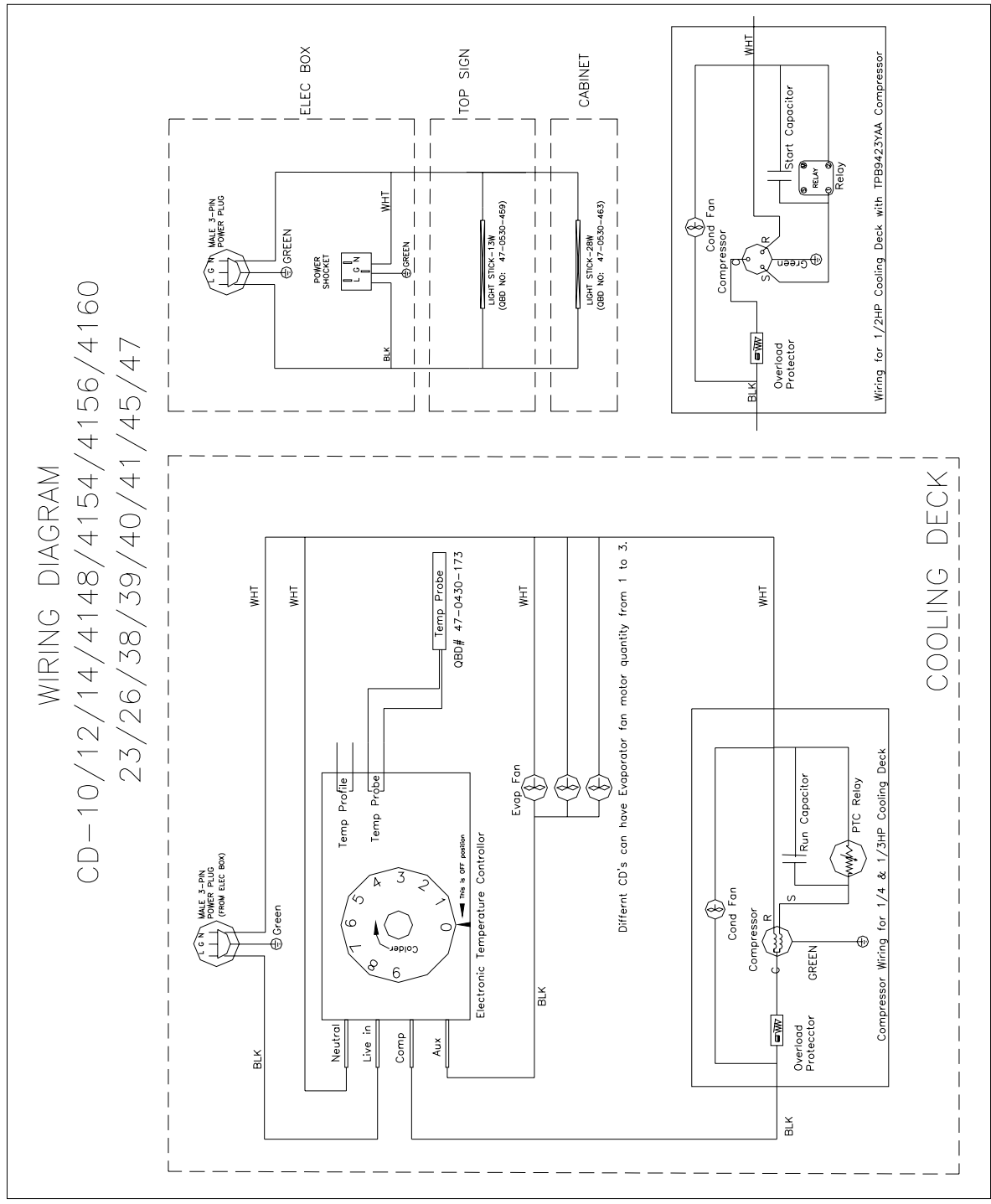
**Use of Extension Cords**

Because of potential safety hazards under certain conditions, we strongly recommend against the use of an extension cord.





WIRING DIAGRAM  
 CD-10/12/14/4148/4154/4156/4160  
 23/26/38/39/40/41/45/47



# QBD<sup>ch!</sup> REVERSING THE HINGED DOORS SWING



## To change the door hinges from the right side of the cooler to the left:

1. Remove front grill. (Figure #1). Lift the grill vertically upward approximately 1/2" until the grill is lifted free of the two keyhole slots and screws that hold the grill in place.  
\*If this is the first time that the grill is being removed it may be necessary to loosen the two hold down screws located behind the two clearance holes found in the front face of the grill, *loosen only* (do not remove) the two screws enough to allow for the vertical lift off of the grill.
2. Use a Philips type screwdriver to remove the top right bracket while holding the door. If there is a shim under the bracket, remove it too. Set the bracket aside but take care to hold the door.
3. Open the door slightly and lift it up firmly. The spring would be released at the bottom.
4. Place the door on a flat non-scratching surface. Interchange the door's top and bottom pivot pins by removing and fixing the two screws. Do not disturb the door handle.
5. Remove the bottom right bracket and if there is a shim under the bracket, remove it too.
6. Install the New Bottom Left Bottom Hinge Bracket on the Left Side (Fig #4) (QBD Part# 47-0090-015), before fully tightening the two screws, mount the door spring onto the pin on the back side of the Hinge Bracket (Fig #4).  
Now fully tighten the screws.
7. Remove and re-insert the plastic plugs for the screw holes on the cooler's front face from the left side to the right side holes.
8. Set the door on the cabinet through the bronze bushing in the bottom hinge bracket. (Fig # 4)
9. Install the New Left Top Hinge bracket to its new top left position. (Figure #2)(QBD Part # 47-0090-014)
10. Fix the door closing spring into the door pivot pin slot located at the bottom left of the cabinet.
11. Pre-load the spring by giving (1) full turn. (Figure #3). Swing the door to test the proper operation.
12. Remove the brand QBD logo from the bottom of the door and refit at the right hand top corner of the door.
13. Install front grill.

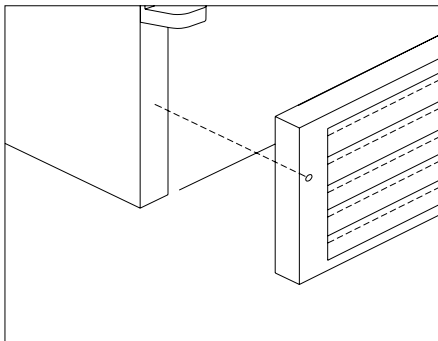


FIG. #1

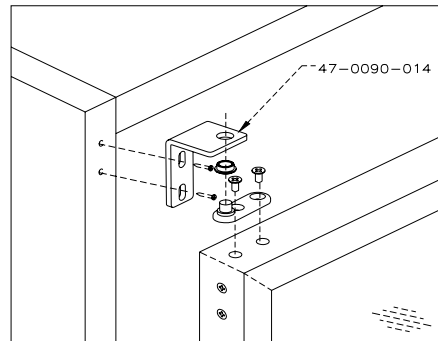


FIG. #2

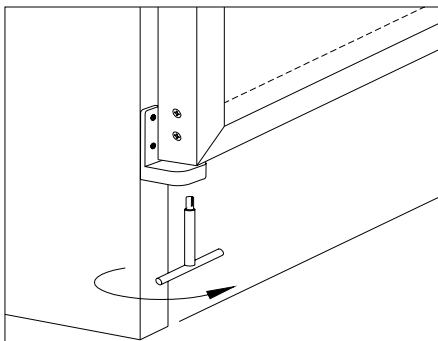


FIG. #3

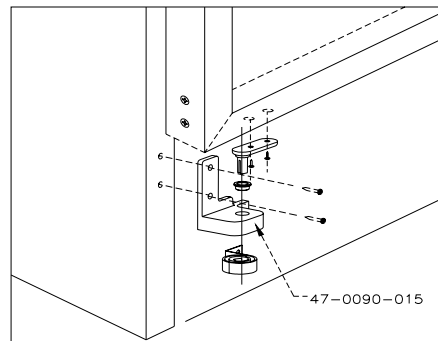
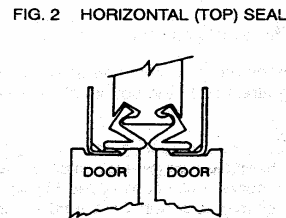
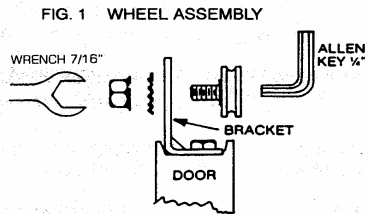


FIG. #4

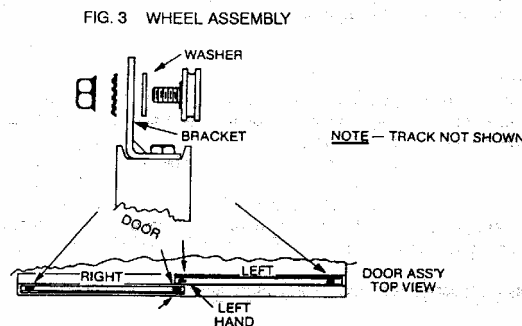


Doors were preset in the factory, however, if adjustment becomes necessary, these are the steps that can be taken to correct the following problems:

1. To adjust wheels:
  - 1.1 If door is too low (rubbing on bottom molded track) move wheel assembly down the slot provided in bracket: i.e. if door is too high (coming out of molded track) move wheel assembly up along slot.
  - 1.2 Remove door(s) through slots cut in track.



2. Seal should touch top of doors (Fig.2) for efficient cooling of unit.
3. The door spring may be weak or stretched.
  - 3.1 Remove end of spring attached to door bracket. Remove screw from the bracket and move it along the Row of holes until the desired strength is reached. Reattach spring.
  - 3.2 If door is still slow, check that wheels are properly adjusted or horizontal (top) seal is properly adjusted.  
NOTE: Door should take 3 to 5 seconds to close.
4. Doors may be rubbing at or around center. To adjust:
  - 4.1 Remove right door
  - 4.2 Remove right hand wheel.
  - 4.3 Add 1/16" thick washer to wheel side of bracket (See Fig. 3).
  - 4.4 If doors are still rubbing, remove inside door and add washer to left hand wheel.  
NOTE: Do not add more than 2 washers per center wheels
5. If wheels are not rolling (to minimize wear on track, wheels must be rolling when door is moving):
  - 5.1 Make sure track has no debris in it or around wheel.
  - 5.2 Add a light machine oil to wheel bearings only.  
NOTE: Track lubrication is not required. Do not add any type of lubricant to track.



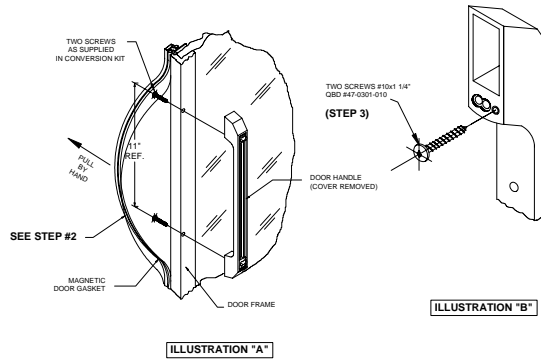
# QBD<sup>ch!</sup> DOOR HANDLE INSTALLATION INSTRUCTION



1. Remove Handle Set from plastic shipping bag. Set consists of two mounting screw, Handle, Front cover plate and this Instruction Sheet.
2. Pull the door gasket away from doorframe, directly behind the two holes in the door-frame, by using fingers and hand strength only. See Fig. 1. **WARNING:** the use of hard or sharp tools may damage soft gasket material.

3. After removing the door gasket, the two 3/8" Dia. holes will be exposed. The two special screws provided in this kit are now inserted in the 3/8" Dia. holes. The door handle must be positioned such that two

4. "O" shaped holes found in the rear-mounting surface of the handle are toward the edge of the door-frame. The screws must be threaded in the "O" shaped holes in the handle. See Fig. 2. **WARNING:** Only use a hand operated Phillips or Robertson (square socket) screwdriver to secure handle screw.
4. After securing the two rear-mounted screws the gasket pushed, by hand, back into its retaining slot.
5. Insert front cover plate into slot in lower section of the handle, ensuring the dimple on cover lines up with notch on handle. Slightly bow out cover and insert opposite end into top slot, depress front cover into place by running fingers down full length of cover.
6. For removing the cover plate locate small hole on backside of the handle, by running fingers down. Inserts in the hole 1/8" Allen Key or similar sized object and push it slightly. Cover plate will pop out from



## TO REMOVE OR REPLACE RECESSED HANDLE

1. Using Philips head screw drive remove both screws holding the door handle to the door trim as shown.
2. Remove door handle, in removal of door handle the inserts may fall out of the door trim. If this occurs, reinsert them as shown.
3. Tighten both screws until door handle is secure, Pull firmly out ward as you would open the door to confirm.

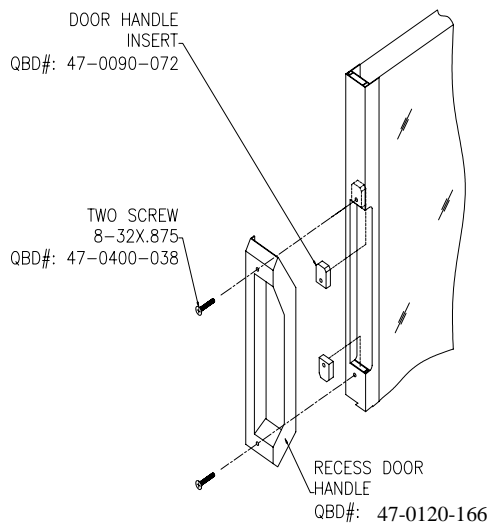
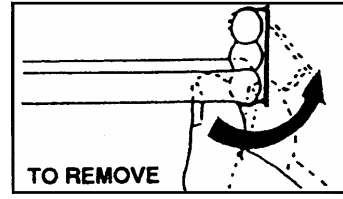
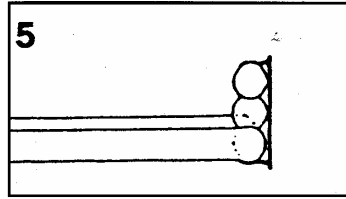
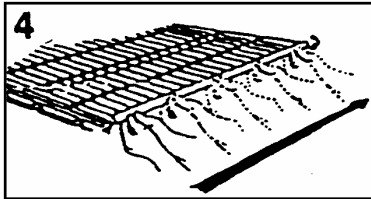
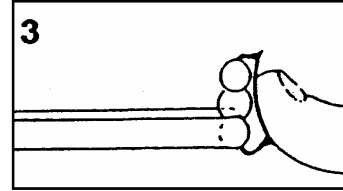
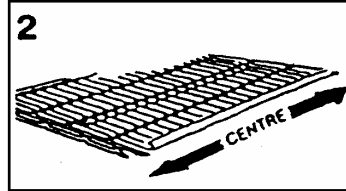
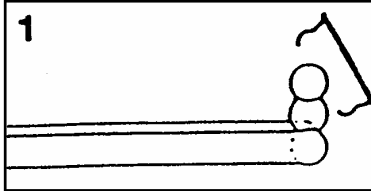


Fig. 2

**QBD<sup>ch!</sup> PRICE STICKER HOLDER INSTALLATION INSTRUCTION**





## DC26, DC47, DC45, Cabinet Care and Cleaning

### **Cabinet Interior-Exterior**

Unplug the cooler and remove all products and shelves. Wash inside with warm water and a mild non-abrasive detergent. Then rinse and dry.

Don't use abrasive cleaners, scouring powders or aggressive spray cleaners which may damage the painted surfaces of the cooler.

Wash shelves in mild detergent solution and dry with a soft cloth.

To help prevent odors, leave an open box of baking soda in the rear of the cooler, on the shelf. Change the box every three months.

Wipe outside of the cooler with a soft cloth dampened with soapy water. Use only mild, soapy water to clean the door gasket.

Never use acids, chemical thinner, gasoline, benzene or the like for cleaning any part of the cooler. Boiling water or benzene may deform or damage plastic parts.

**NOTE:** Failure to keep the condenser coil clean and unobstructed at all times will result in poor cooling, possible damage and **VOID WARRANTY**. Clean condenser with a bristle brush or vacuum. Disconnect power to unit prior to cleaning.

## Refrigeration Accessibility and Servicing

The refrigeration compartment and high side (condensing) refrigeration components are accessed through the opening found directly behind the lower front grill. (ventilation panel)

### **Removal of Front Grill**

-With a Phillips screwdriver *loosen* (DO NOT TRY TO REMOVE THE TWO SCREWS) the two screws found behind the two clearance hole openings found in the front face of the grill.

-These two clearance holes are at mid height on the front face of the grill and toward each side of the grill.

-The Phillips screwdriver's tip is inserted into the clearance hole(s) approximately 1 1/2" to reach the two Phillips head screws hidden behind the grill.

-**For models DC26, and 47**, after loosening the two screws the grill is lifted vertically upward approximately 1/2" until the grill is lifted free of the two keyhole slots which hold the grill in place.

-**For model DC45**, after loosening the two screws, remove the grill by pulling towards the front until the grill is removed.

### **“LFC” (Lint Forgiven Condenser) Cleaning Procedure**

-Disconnect the electrical supply .

-Remove the lower front grill, (lower front ventilation panel)

Refer to paragraph “Removal of Front Grill” above.

-The dust or foreign materials can be removed using,

-Wand type duster **OR** Brush **OR** Vacuum cleaner **OR** Blow out condenser with compressed air or other suitable gas

-When finished cleaning the Lint Forgiven Condenser replace the front grill.

-Reconnect the electrical supply .

**CD10/12/14/4148/4154/4156/4160/23/26/38/39/40/41/45/47****Cabinet Interior-Exterior Cleaning & Refrigeration Servicing**

Never use acids, chemical thinner, gasoline, benzene or the like for cleaning any part of the cooler.

**Boiling water or benzene may deform or damage plastic parts.**

Unplug the cooler and remove all products and shelves, please make sure to remove the Inner Stainless Steel Base Step as well. After removing the Base Step remove the front Grill.

Loosen the screw holding the front grill in place. (For hinged doors do not remove the screw, but for sliding doors they will have to be removed)

Now the Cooling Deck can be accessed. Unplug the cooling deck power cord connected to the electrical box, located in the inner side of the right leg, close to front end.

Remove the 2 screws fastening the CD with the front to back Cross Rails. Slide the Lift Bar Holder upwards & remove it. Rotate Lift Bars inwards to release CD from Lock Position.

Slide CD out of the cooler by pulling the Lift Bars towards you. Please take safety measures while pulling out the deck.

Wash inside of cooler with warm water and a mild non-abrasive detergent. Then rinse and dry.

Don't use abrasive cleaners, scouring powders or aggressive spray cleaners which may damage the painted surfaces of the cooler.

Wash shelves in mild detergent solution and dry with a soft cloth.

To help prevent odors, leave an open box of baking soda in the rear of the cooler, on the shelf. Change the box every three months.

Wipe outside of the cooler with a soft cloth dampened with soapy water. Use only mild, soapy water to clean the door gasket. Install the shelves & the false bottom back into the cabinet.

**IMPORTANT : PLEASE DO NOT SPRAY WATER AND / OR CHEMICALS ON ANY ELECTRICAL PARTS , FAILURE TO DO SO WILL VOID WARRANTY.**

**Refrigeration Servicing:**

The Refrigeration of the CD Series of coolers if a self contained cooling deck. In order to service the refrigeration of the Cooling Deck coolers, remove the cooling deck as explained above. The cooling deck can now be serviced as explained below. Check Evaporator tub & drain to ensure they are clean & no foreign particles are obstructing the drain. Check the drain line by pouring a glass of water, if you notice any obstruction in the drain, clean the drain, you can clean it by blowing compressor air from the drain in the Evaporator side.

For CD4154/56 & 60 models the deck layout is not as shown in the image on next page, for these units the only difference is that the compressor & condenser are on the right side of Evaporator box & not in the front as shown on next page.

**“LFC” (Lint Forgiven Condenser) Cleaning Procedure**

-The dust or foreign materials can be removed using,

-Wand type duster **OR** Brush **OR** Vacuum cleaner **OR** Blow out condenser with compressed air or other suitable gas

After the service is done, reinsert the cooling deck back into cabinet & install the 2 screws to hold it in place. Rotate Lift Bars upwards & slide the lift bar holder over them to lock them. Reconnect the cooling deck power cord to the electrical box. Reinstall the front grill, connect cooler cord to power supply.

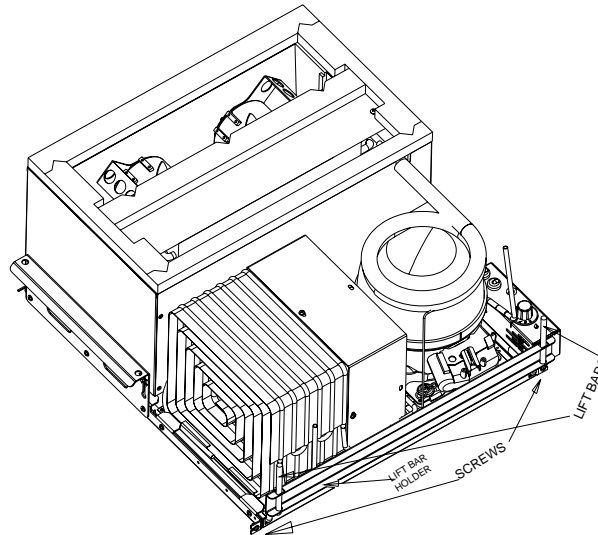
**NOTE:** Failure to keep the condenser coil clean and unobstructed at all times will result in poor cooling, possible damage and **VOID WARRANTY**. Clean condenser with a bristle brush or vacuum. Disconnect power to unit prior to cleaning.

**IMPORTANT : WHILE CLEANING THE COOLING DECK DO NOT SPRAY WATER AND / OR CHEMICALS ON ANY ELECTRICAL PARTS INCLUDING FAN MOTORS , FAILURE TO DO SO WILL VOID WARRANTY.**



**CD10/12/14/4148/4154/4156/4160/23/26/38/39/40/41/45/47**

**COOLING DECK**



Electronic Control Diagnostic Instructions:			
	LEDs R Y G	Comp. ON	Description
1	⊖ ⊖ ⊖	×	Knob in off position.
2	○ ● ●	✓   ×	Probe fault / Probe unplugged at controller. ( In case of Probe fault, Compressor will stay ON for 8 minutes & stay OFF for 10 minutes.)
3	● ○ ○	×	OFF. Voltage bad ( too high or too low ) . ( Normal Operation - 93 to 130 - ON ) ( Low Voltage - 90 or Lower - OFF ) ( High Voltage - 133 or Higher - OFF )
4	○ ● ○	×	Wait period. ( Intelligent Time Delay ) ( Maximum 5 Minutes OFF )
5	○ ○ ●	✓	On. Voltage good. Cooling demand
6	● ○ ○	×	Sensing Voltage at Extreme Allowable Limits. No Cooling Demand.
7	○ ● ○	×	No Cooling Demand. Wait is On. ( Intelligent Time Delay, Maximum 5 minutes )
8	○ ○ ●	×	No cooling demand.

**KEY**   ✓ ON   × OFF   ● Flashing   ⊖ Cycling   ○ Off   ● On

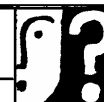
**QUICK TIPS:**

A) The cooler set temperature is achieved by setting the Control Knob fitted on the top of the controller to the desired temperature.

B) Voltage Protection. This controller continually senses the mains supply and will disconnect the compressor and evaporator fan motor ( s ) when the mains voltage is either higher or lower then pre set limits.

C) Evaporator Fan Motors are cycled OFF/ON ( at pre set timed interval ) when the compressor has cycled Off. ( Patent Pending ) .

SEP. 2009   47-0480-168



**USE THE PROBLEM SOLVER**

<b>PROBLEM</b>	<b>POSSIBLE CAUSE</b>
<b>COOLER DOES NOT OPERATE</b>	Not plugged in. The circuit breaker tripped, or fuse blown.
<b>TURNS ON AND OFF FREQUENTLY</b>	Wrong voltage supply. Unit set too close to the wall or other indirect heat source. Use of an extension cord. Cold control improperly adjusted. Faulty over load, start relay or cold control. Dirty Condenser.
<b>SEEMS TO RUN TOO LONG</b>	Check for proper clearances like unit too close to the wall. Frequent door openings let cold air escape. Check if any indirect heat source like sunlight. Dirty Condenser.
<b>VIBRATIONS</b>	If cooler vibrates, it probably is not level. Adjust front leveling legs.
<b>CABINET HAS ODOR</b>	Foods with strong odors should be tightly covered. Check for spoiled food. Interior may need cleaning. Keep an open box of baking soda in cooler, replace every three months.

**WHERE TO CALL FOR QBD SERVICE ...**

**HOW TO DO AWAY WITH SURPRISE REPAIR BILLS ?**

Your new visi cooler is a well designed and engineered product. Before it left the factory, it went through rigorous tests, just to make sure it was as problem-free as possible. And you have a warranty to protect you against any manufacturing problems during the period of your appliance warranty.

Now you can have the same trouble-free and surprise-free service for as long as you own your cooler. You can buy a QBD Service Contract. For one low fee .... usually just pennies a day .... QBD Customer Service will take care of the repairs your cooler needs - both parts and labour. You are protected for the length of your contract. Even when costs go up, you pay nothing more.

Want more information? There's no obligation. You can get information on Service Contracts any time. Just call or write to:

<p><b>Manager, QBD Customer Service, QBD Cooling Systems Inc. 31 Bramsteele Road, Brampton, Ontario, Canada L6W 3K6.</b></p>	<p><b>Tel. 1(905) 459 0709 1(800) 663 3005 Fax.1(905) 459 1478 www.qbd.com</b></p>
--	--