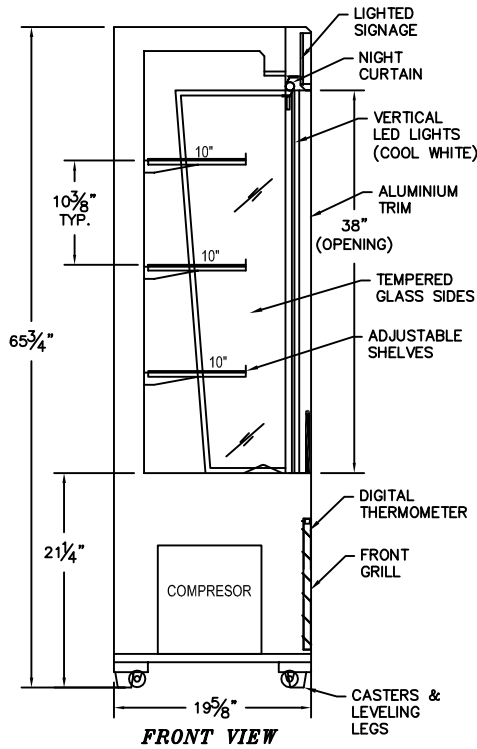


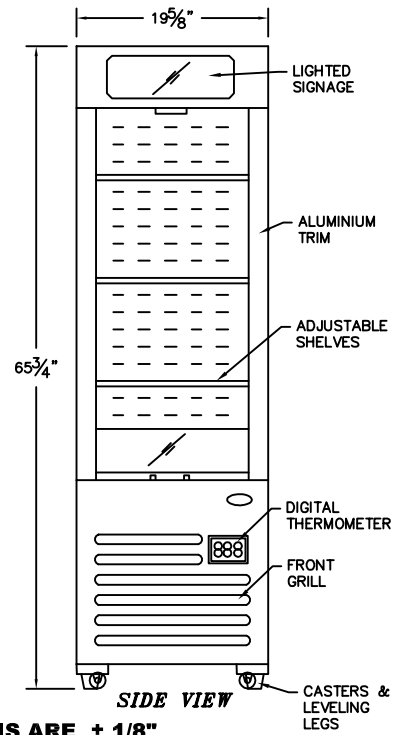
PROJECT:	QTY:	ITEM No.
-----------------	-------------	-----------------

AC20

REFRIGERATED WALL CASE



DISPLAY CASE MUST NOT BE LOCATED IN DIRECT SUNLIGHT OR NEAR SOURCES OF AIR FLOW INCLUDING DOORS, WINDOWS AND VENTILATION SYSTEMS.



*** ALL DIMENSIONS ARE ± 1/8"**

*** PICTURE FOR REFERENCE ONLY**



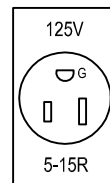
Manufacturers of food service displays

SPECIFICATIONS

DIMENSIONS	AC20	MODEL No.	MODEL No.	MODEL No.	MODEL No.	MODEL No.
Length (in)	19.625"	L	L	L	L	L
Depth (in)	19.625"	D	D	D	D	D
Height (in)	65.75"	H	H	H	H	H
ELECTRICAL						
Voltage	120	120	120	120	120	120
Amperes <small>(Compressor and Light)</small>	5.8	Amps.	Amps.	Amps.	Amps.	Amps.
Amperes <small>(Elect. Cond. Pan needs separate circuit)</small>	Amps.	Amps.	Amps.	Amps.	Amps.	Amps.
Power Cord	8 ft.	8 ft.	8 ft.	8 ft.	8 ft.	8 ft.

NEMA Receptacle Configurations

FOR COMPRESSOR & LIGHTS



NOTES

All Specifications subject to change without notice.

This Design is the property of QBD Modular Systems Inc. No copies or reproductions are permitted without the written permission of QBD Modular Systems Inc.

**** All units are designed to operate under normal store conditions of 24°F(75°F) with 50% relative humidity, and maintain the temp. between 35°F to 40°F.**

****Condensation on glass may occur in Hot / Humid conditions. QBD is not responsible for any consequential damages as a result.**

****QBD WARRANTY DOES NOT INCLUDE PRODUCT LOSS OR CONSEQUENTIAL DAMAGES HOWEVER CAUSED. Please review detailed warranty statement prior to purchase.**



QBD MODULAR SYSTEMS INC.
31 BRAMSTEELE ROAD, BRAMPTON, ONTARIO, CANADA L6W 3K6
WWW.QBD.COM

1-800-663-3005

TEL: (905) 459-0709

FAX: (905) 459-1478

info@qbd.com

DR. BY. **Hesam**

DATE: **04/ 26/ 16**

FILE: **AC20**