

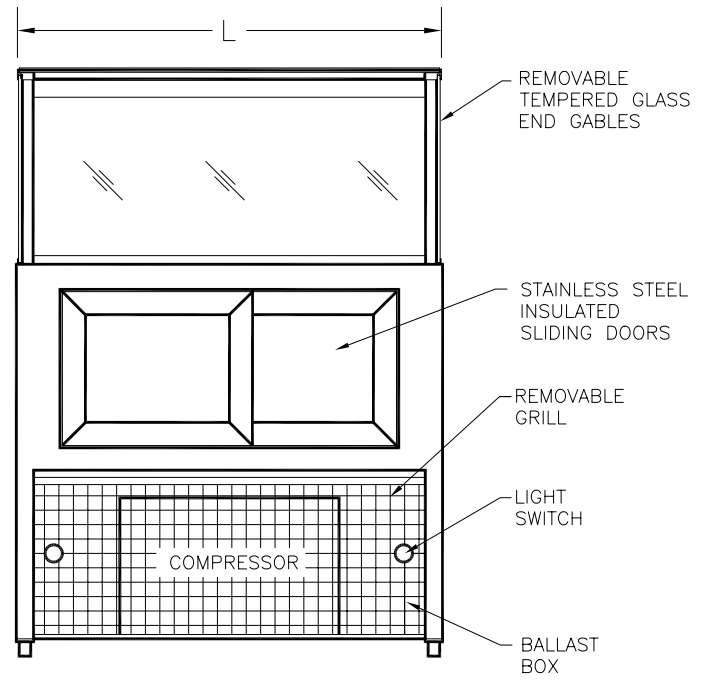
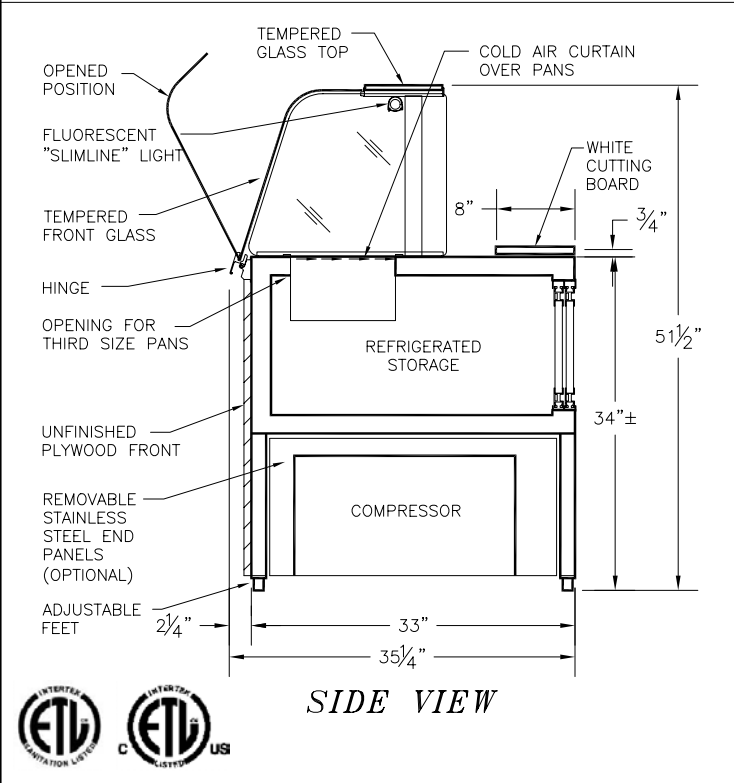
PROJECT:

QTY:

ITEM No.

CASP-X-XX52

REFRIGERATED SANDWICH PREPARATION DISPLAY UNIT



SPECIFICATIONS

DIMENSIONS	CASP -4-3752	CASP -6-4852	CASP -7-6052	CASP -9-7452	CASP -10-8552	CASP -12-9652
Length (in)	37"	48"	60"	74"	85"	96"
Depth (in)	35.25"	35.25"	35.25"	35.25"	35.25"	35.25"
Height (in)	51.50"	51.50"	51.50"	51.50"	51.50"	51.50"
ELECTRICAL						
Voltage	120	120	120	120	120	120
Amperes (Compressor and Light)	9.3	9.3	12.5	12.5	12.5	12.5
Amperes (Elect. Cond. Pan needs separate circuit)	Amps.	Amps.	Amps.	Amps.	Amps.	Amps.
Power Cord	8 ft.	8 ft.	8 ft.	8 ft.	8 ft.	8 ft.

NOTES

All Specifications subject to change without notice.

This Design is the property of QBD Modular Systems Inc. No copies or reproductions are permitted without the written permission of QBD Modular Systems Inc.

** All units are designed to operate under normal store conditions of 24°C (75°F) with 50% relative humidity, and maintain the temperature between 35°F to 40°F.

**Condensation on glass may occur in Hot/Humid conditions.QBD is not responsible for any consequential damages as a result.

**QBD WARRANTY DOES NOT INCLUDE PRODUCT LOSS OR CONSEQUENTIAL DAMAGES HOWEVER CAUSED.

Manufacturers of food service displays



QBD® MODULAR SYSTEMS INC.
 31 BRAMSTEELE ROAD, BRAMPTON, ONTARIO, CANADA L6W 3K6
WWW.QBD.COM

800-663-3005
 TEL: (905) 459-0709
 FAX: (905) 459-1478
info@qbd.com

DR. BY: **Dave**
 DATE: **05/ 06/ 10**
 FILE: **CASP-X-XX52**