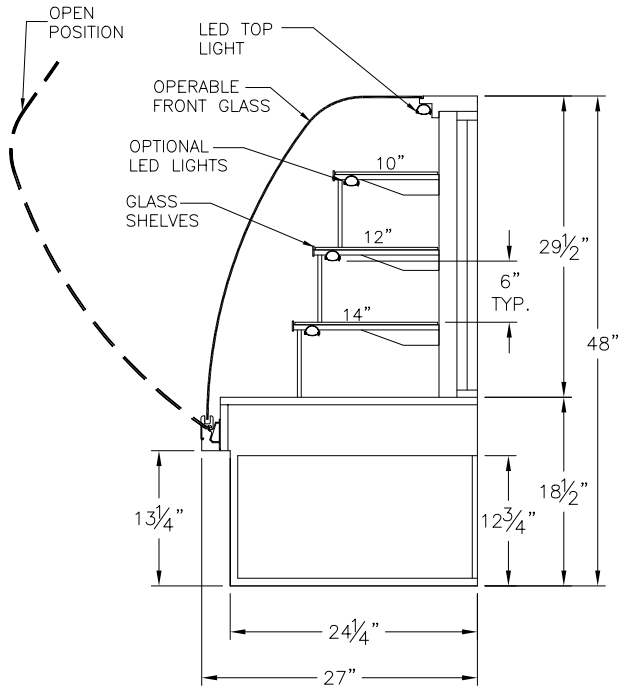


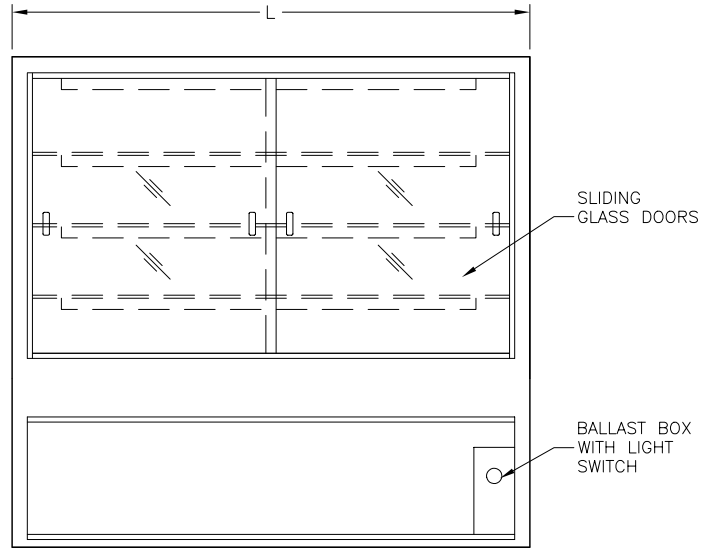
<b>PROJECT:</b>	<b>QTY:</b>	<b>ITEM No.</b>
-----------------	-------------	-----------------

# CCDV-XX48

## CLASSIC V DRY CANDY DISPLAY CASE



SECTION VIEW



BACK VIEW



**\* ALL DIMENSIONS ARE ± 1/8"**

*PICTURE NOT AVAILABLE*

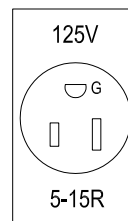
*Manufacturers of food service displays*

### SPECIFICATIONS

DIMENSIONS	CCDV 2448	CCDV 3648	CCDV 4848	CCDV 6048	CCDV 7248	CCDV 9448
Length (in)	24	36	48	60	72	94
Depth (in)	27	27	27	27	27	27
Height (in)	48	48	48	48	48	48
ELECTRICAL						
Voltage	120	120	120	120	120	120
Amperes (Compressor and Light)	1.2	1.2	1.2	2.4	2.4	2.4
Amperes (Elect. Cond. Pan needs separate circuit)	Amps.	Amps.	Amps.	Amps.	Amps.	Amps.
Power Cord	8 ft.	8 ft.	8 ft.	8 ft.	8 ft.	8 ft.

**NEMA Receptacle Configurations**

FOR LED LIGHTS



### NOTES

All Specifications subject to change without notice.

This Design Is the property of QBD Modular Systems Inc. No copies or reproductions are permitted without the written permission of QBD Modular Systems Inc.

\*\* All units are designed to operate under normal store conditions of 24°F(75°F) with 50% relative humidity, and maintain the temp. between 35°F to 40°F.

\*\*Condensation on glass may occur in Hot / Humid conditions. QBD is not responsible for any consequential damages as a result.

\*\*QBD WARRANTY DOES NOT INCLUDE PRODUCT LOSS OR CONSEQUENTIAL DAMAGES HOWEVER CAUSED. Please review detailed warranty statement prior to purchase.



**QBD MODULAR SYSTEMS INC.**  
 31 BRAMSTEELE ROAD, BRAMPTON, ONTARIO, CANADA L6W 3K6  
[WWW.QBD.COM](http://WWW.QBD.COM)

1-800-663-3005  
 TEL: (905) 459-0709  
 FAX: (905) 459-1478  
[info@qbd.com](mailto:info@qbd.com)

DR. BY: **Dave**  
 DATE: **02 / 08 / 13**  
 FILE: **CCDVXX48**