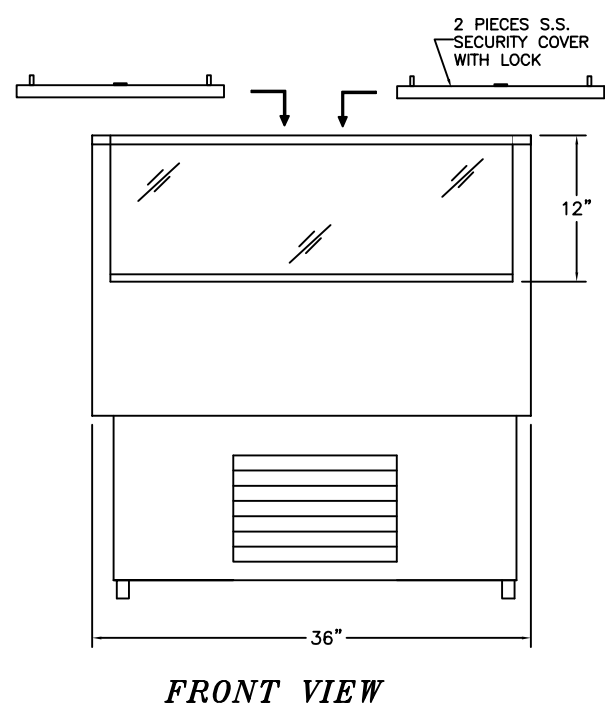
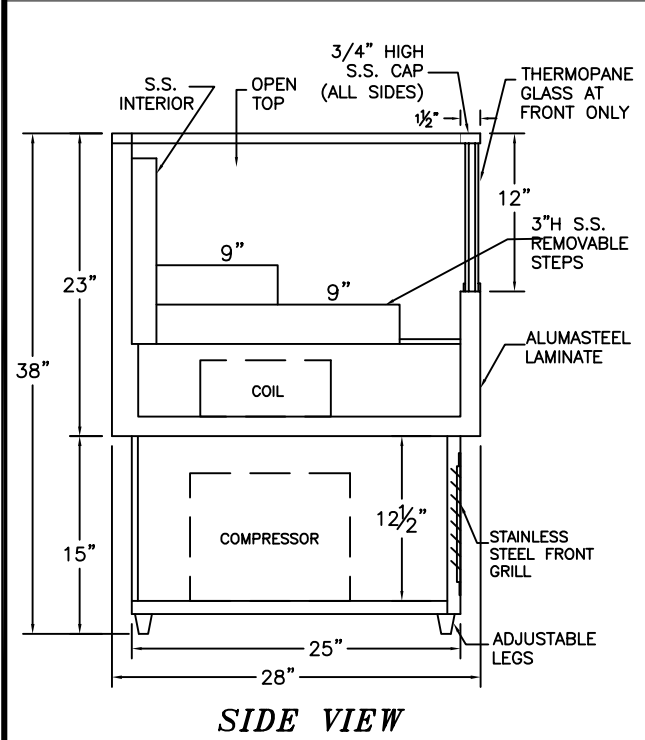


PROJECT:	QTY:	ITEM No.
-----------------	-------------	-----------------

CLD3638SC

REACH-IN BOTTLE DISPLAY COOLER



Manufacturers of food service displays

SPECIFICATIONS

DIMENSIONS	CLD 3638SC	MODEL No,	MODEL No,	MODEL No,	MODEL No,	MODEL No,
Length (in)	36"	L	L	L	L	L
Depth (in)	28"	D	D	D	D	D
Height (in)	38"	H	H	H	H	H
ELECTRICAL						
Voltage	120	120	120	120	120	120
Amperes <small>(Compressor and Light)</small>	9.6	Amps.	Amps.	Amps.	Amps.	Amps.
Amperes <small>(Elect. Cond. Pan needs separate circuit)</small>	8.4	Amps.	Amps.	Amps.	Amps.	Amps.
Power Cord	8 ft.	8 ft.	8 ft.	8 ft.	8 ft.	8 ft.

NEMA Receptacle Configurations	NOTES		
<p>TWO SEPARATE POWER SUPPLY REQUIRED</p> <table style="width:100%; border-collapse: collapse;"> <tr> <td style="width: 50%; text-align: center;"> <p>FOR ELECT. COND. PAN</p> </td> <td style="width: 50%; text-align: center;"> <p>FOR COMPRESSOR</p> </td> </tr> </table>	<p>FOR ELECT. COND. PAN</p>	<p>FOR COMPRESSOR</p>	<p>All Specifications subject to change without notice.</p> <p>This Design is the property of QBD Modular Systems Inc.No copies or reproductions are permitted without the written permission of QBD Modular Systems Inc.</p> <p><small>** All units are designed to operate under normal store conditions of 24°F(75°F) with 50% relative humidity, and maintain the temp. between 35°F to 40°F. **Condensation on glass may occur in Hot / Humid conditions.QBD is not responsible for any consequential damages as a result. **QBD WARRANTY DOES NOT INCLUDE PRODUCT LOSS OR CONSEQUENTIAL DAMAGES HOWEVER CAUSED. Please review detailed warranty statement prior to purchase.</small></p>
<p>FOR ELECT. COND. PAN</p>	<p>FOR COMPRESSOR</p>		



QBD MODULAR SYSTEMS INC. TEL: (905) 459-0709
 31 BRAMSTEELE ROAD, BRAMPTON, ONTARIO, CANADA L6W 3K6 FAX: (905) 459-1478
WWW.QBD.COM info@qbd.com

DR. BY.	Dave
DATE:	04 /15 /13
FILE:	CLD3638SC