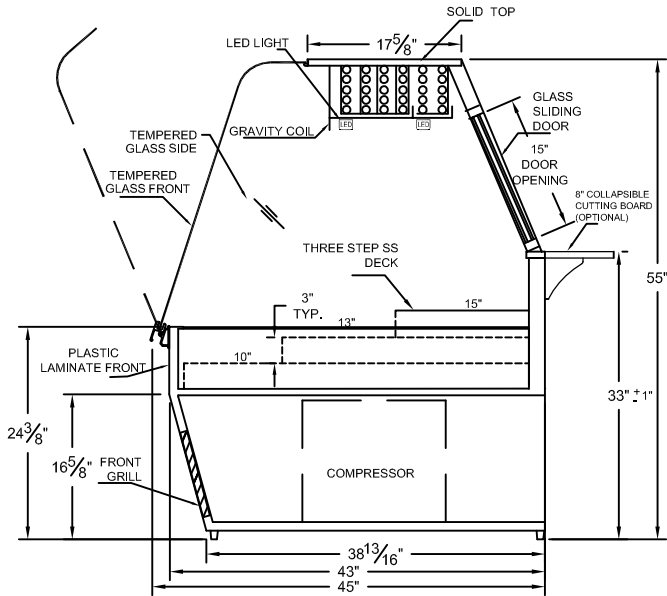


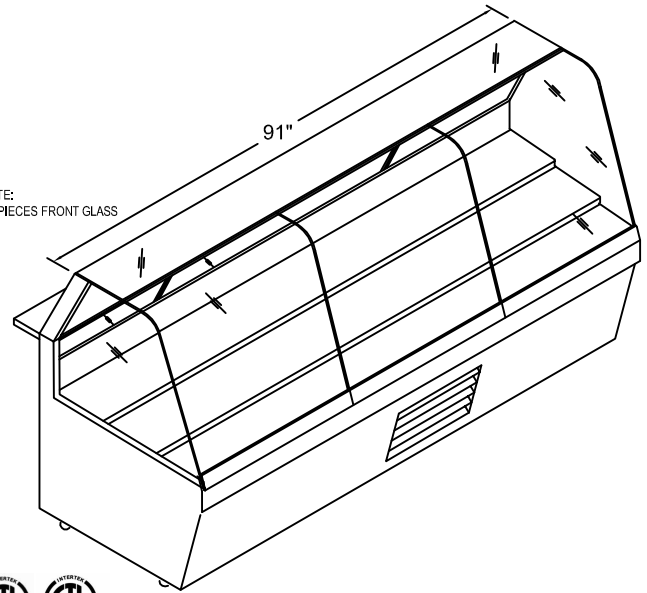
PROJECT:	QTY:	ITEM No. :
-----------------	-------------	-------------------

CLD9155G

FULL SERVE CLASSIC DELI MERCHANDISER



SIDE VIEW



ISOMETRIC

*** ALL DIMENSIONS ARE ± 1/8"**

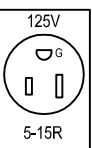
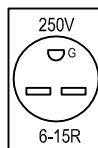
* PICTURE FOR REFERENCE ONLY



Manufacturers of food service displays

SPECIFICATIONS

DIMENSIONS	CLD 9155	MODEL No.	MODEL No.	MODEL No.
Length (in)	91"	L	L	L
Depth (in)	45"	D	D	D
Height (in)	55"	H	H	H
ELECTRICAL				
Voltage	220	120	120	120
Amperes <small>(Compressor and Light)</small>	11.20	-	Amps.	Amps.
Amperes <small>(Elect. Cond. Pan needs separate circuit)</small>	-	8.40	Amps.	Amps.
Power Cord	8 ft.	8 ft.	8 ft.	8 ft.

NEMA Receptacle Configurations	
FOR ELECT. COND. PAN 	FOR COMPRESSOR & LIGHTS 

NOTES

All Specifications subject to change without notice.

This Design is the property of QBD Modular Systems Inc. No copies or reproductions are permitted without the written permission of QBD Modular Systems Inc.

** All units are designed to operate under normal store conditions of 24°F (75°F) with 50% relative humidity, and maintain the temp. between 35°F to 40°F.

**Condensation on glass may occur in Hot / Humid conditions. QBD is not responsible for any consequential damages as a result.

**QBD WARRANTY DOES NOT INCLUDE PRODUCT LOSS OR CONSEQUENTIAL DAMAGES HOWEVER CAUSED. Please review detailed warranty statement prior to purchase.



1-800-663-3005
TEL: (905) 459-0709
FAX: (905) 459-1478
info@qbd.com

DR. BY: Hesam
DATE: 07 /11/16
FILE: CLD9155