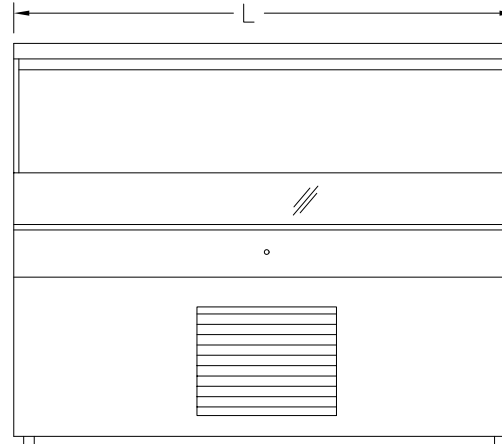
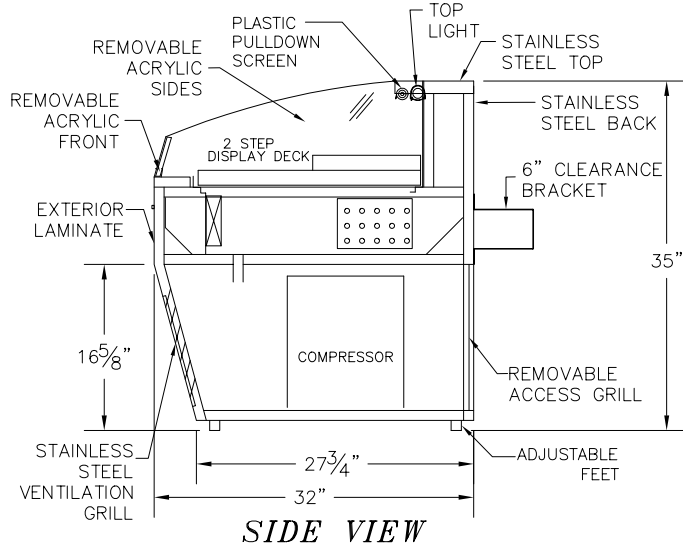


PROJECT:	QTY:	ITEM No.
-----------------	-------------	-----------------

CLDS-XX35

CLASSIC DELI REFRIGERATED MERCHANDISER



DISPLAY CASE MUST NOT BE LOCATED IN DIRECT SUNLIGHT OR NEAR SOURCES OF AIR FLOW INCLUDING DOORS, WINDOWS AND VENTILATION SYSTEMS.

FOR UNITS CLDS3735, CLDS4835 & CLDS6035

- 2 SOURCES OF POWER REQUIRED.
- 120V-15Amp. for Elect. condensate pan.
 - 120V-20Amp. for Compressor & Lights.

FOR UNITS CLDS7435, CLDS8535 & CLDS9635

- 2 SOURCES OF POWER REQUIRED.
- 208/230V-15Amp. for Elect. condensate pan.
 - 208/230V-20Amp. for Compressor & Lights.

6-15P/250V 6-20P/250V



SPECIFICATIONS

DIMENSIONS	CLDS 3735	CLDS 4835	CLDS 6035	CLDS 7435	CLDS 8535	CLDS 9635
Length (in)	37"	48"	60"	74"	85"	96"
Depth (in)	32"	32"	32"	32"	32"	32"
Height (in)	35"	35"	35"	35"	35"	35"
ELECTRICAL						
Voltage	120	120	120	208/230	208/230	208/230
Amperes <small>(Compressor and Light)</small>	10.2	10.2	11.2	8.4	8.4	8.4
Amperes <small>(Elect. Cond. Pan needs separate circuit)</small>	8.4	8.4	8.4	8.4	8.4	8.4
Power Cord	8 ft.	8 ft.	8 ft.	8 ft.	8 ft.	8 ft.

NOTES

All Specifications subject to change without notice.

This Design is the property of QBD Modular Systems Inc. No copies or reproductions are permitted without the written permission of QBD Modular Systems Inc.

** All units are designed to operate under normal store conditions of 24°C (75°F) with 50% relative humidity, and maintain the temperature between 35°F to 40°F.

**Condensation on glass may occur in Hot/Humid conditions.QBD is not responsible for any consequential damages as a result.

**QBD WARRANTY DOES NOT INCLUDE PRODUCT LOSS OR CONSEQUENTIAL DAMAGES HOWEVER CAUSED.



Manufacturers of food service displays



QBD

MODULAR SYSTEMS INC.

31 BRAMSTEELE ROAD, BRAMPTON, ONTARIO, CANADA L6W 3K6

WWW.QBD.COM

1-800-663-3005

TEL: (905) 459-0709

FAX: (905) 459-1478

info@qbd.com

DR. BY: **Dave**

DATE: **01/ 06/ 10**

FILE: **CLDSXX35**