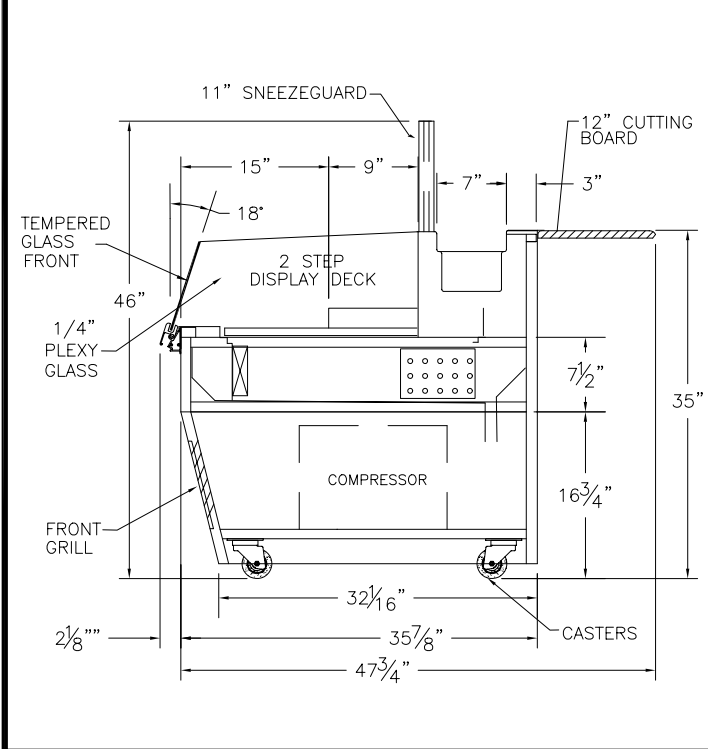


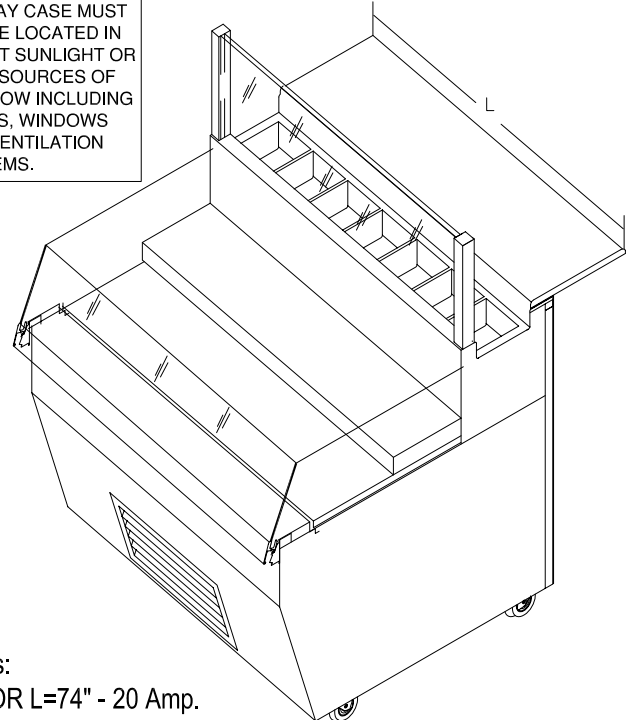
PROJECT:	QTY:	ITEM No.
----------	------	----------

# CLDSPXX46

## CLASSIC DELI MERCHANDISERS



DISPLAY CASE MUST NOT BE LOCATED IN DIRECT SUNLIGHT OR NEAR SOURCES OF AIR FLOW INCLUDING DOORS, WINDOWS AND VENTILATION SYSTEMS.



Notes:  
\* FOR L=74" - 20 Amp.



*Manufacturers of food service displays*

SPECIFICATIONS						
DIMENSIONS	CLDSSP 4846	CLDSP 6046	CLDSP 7446	MODEL No.	MODEL No.	MODEL No.
Length (in)	48	60	74	L	L	L
Depth (in)	47.75	47.75	47.75	D	D	D
Height (in)	46	46	46	H	H	H
ELECTRICAL						
Voltage	120	120	120	120	120	120
Amperes (Compressor and Light)	10	10	15	Amps.	Amps.	Amps.
Amperes (Elect. Cond. Pan needs separate circuit)	Amps.	Amps.	Amps.	Amps.	Amps.	Amps.
Power Cord	8 ft.	8 ft.	8 ft.	8 ft.	8 ft.	8 ft.

**NOTES**

All Specifications subject to change without notice.

This Design is the property of QBD Modular Systems Inc. No copies or reproductions are permitted without the written permission of QBD Modular Systems Inc.

\*\* All units are designed to operate under normal store conditions of 24°C (75°F) with 50% relative humidity.

\*\*Condensation on glass may occur in Hot/Humid conditions.QBD is not responsible for any consequential damages as a result.

\*\*QBD WARRANTY DOES NOT INCLUDE PRODUCT LOSS OR CONSEQUENTIAL DAMAGES HOWEVER CAUSED.



**QBD MODULAR SYSTEMS INC.**  
31 BRAMSTEELE ROAD, BRAMPTON, ONTARIO, CANADA L6W 3K6  
[WWW.QBD.COM](http://WWW.QBD.COM)

1-800-663-3005  
TEL: (905) 459-0709  
FAX: (905) 459-1478  
[info@qbd.com](mailto:info@qbd.com)

DR. BY:	Dave
DATE:	09 /19 /10
FILE:	CLDSPXX46