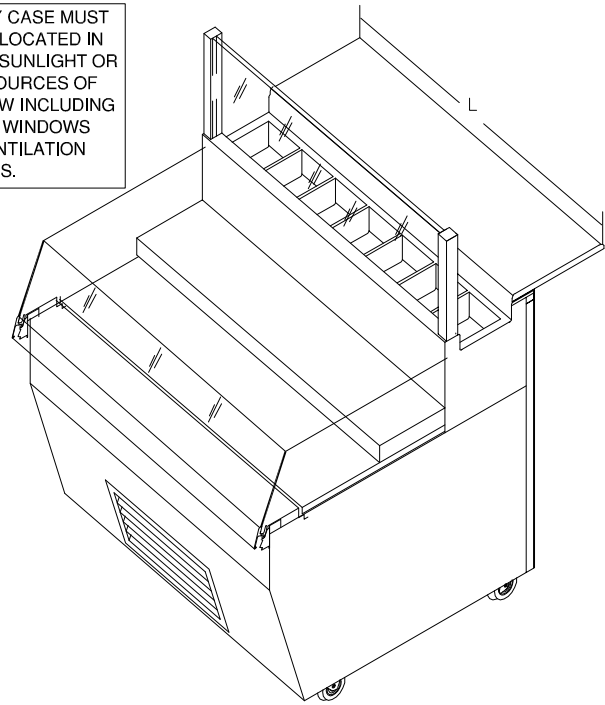
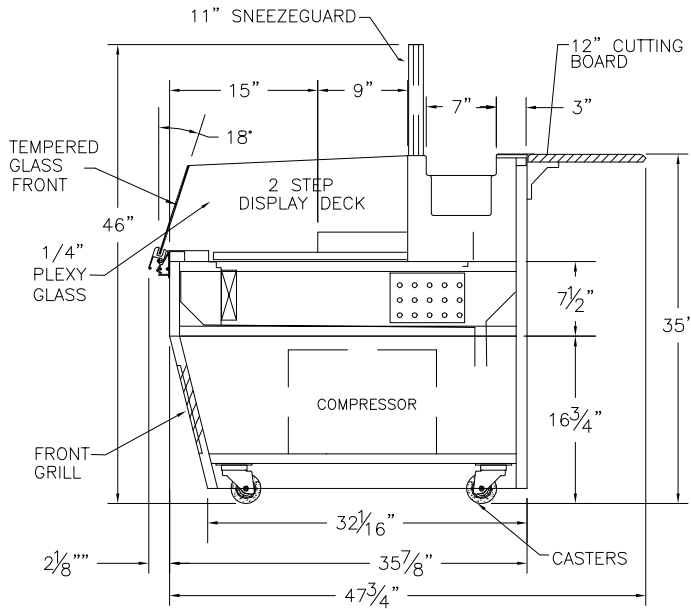


PROJECT:	QTY:	ITEM No.
----------	------	----------

CLDSPXX46

CLASSIC DELI MERCHANDISERS

DISPLAY CASE MUST NOT BE LOCATED IN DIRECT SUNLIGHT OR NEAR SOURCES OF AIR FLOW INCLUDING DOORS, WINDOWS AND VENTILATION SYSTEMS.



*** ALL DIMENSIONS ARE ± 1/8"**



Manufacturers of food service displays

SPECIFICATIONS

DIMENSIONS	CLDSSP 4846	CLDSP 6046	CLDSP 7446	MODEL No.	MODEL No.
Length (in)	48	60	74	L	L
Depth (in)	47.75	47.75	47.75	D	D
Height (in)	46	46	46	H	H
ELECTRICAL					
Voltage	120	120	120	208	120
Amperes (Compressor and Light)	11.2	12.6	Amps.	6.8	Amps.
Amperes (Elect. Cond. Pan needs separate circuit)	8.4	8.4	8.4	Amps.	Amps.
Power Cord	8 ft.	8 ft.	8 ft.	8 ft.	8 ft.

NEMA Receptacle	NOTES
TWO SEPARATE POWER SUPPLY REQUIRED	All Specifications subject to change without notice.
FOR COMPRESSOR & LIGHTS FOR L = 74"	This Design Is the property of QBD Modular Systems Inc. No copies or reproductions are permitted without the written permission of QBD Modular Systems Inc. ** All units are designed to operate under normal store conditions of 24°C(75°F) with 50% relative humidity, and maintain the temp. between 35°F to 40°F. **Condensation on glass may occur in Hot / Humid conditions. QBD is not responsible for any consequential damages as a result. **QBD WARRANTY DOES NOT INCLUDE PRODUCT LOSS OR CONSEQUENTIAL DAMAGES HOWEVER CAUSED. Please review detailed warranty statement prior to purchase.
FOR L = 60"	
ELECT. COND. PAN	
FOR L = 48"	



QBD MODULAR SYSTEMS INC. TEL: (905) 459-0709
 31 BRAMSTEELE ROAD, BRAMPTON, ONTARIO, CANADA L6W 3K6 FAX: (905) 459-1478
WWW.QBD.COM info@qbd.com

1-800-663-3005

DR. BY: **Dave**

DATE: **09 /19 /12**

FILE: **CLDSPXX46**