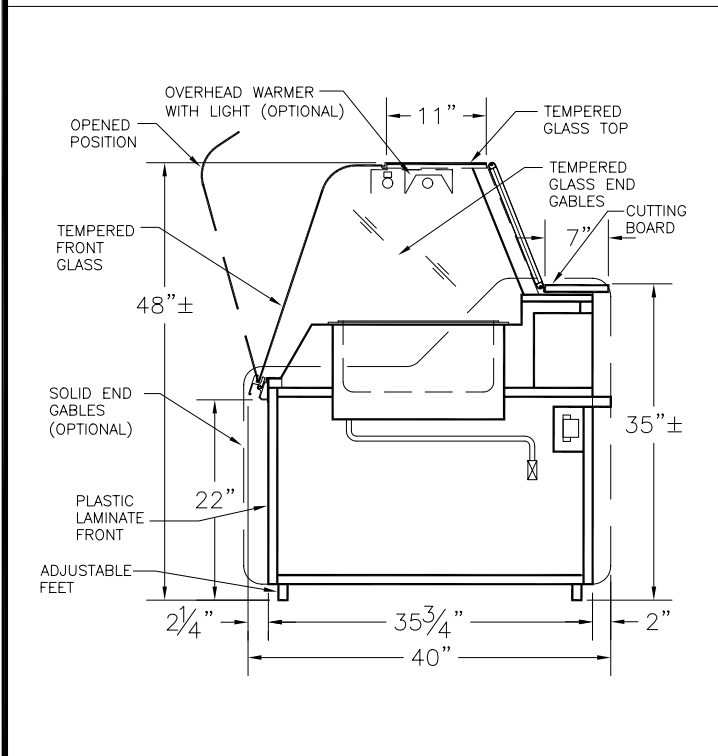


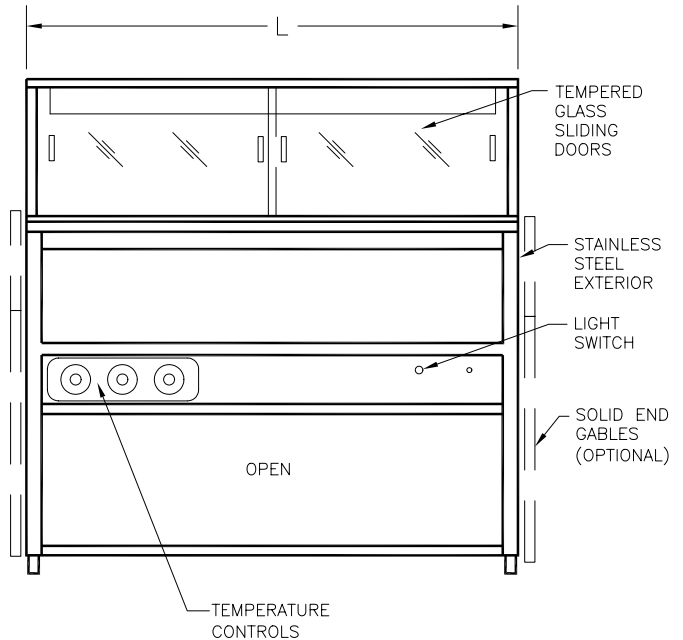
PROJECT:	QTY:	ITEM No.
----------	------	----------

CLDSUXX48

FULL SERVE STEAM MERCHANDISER



NOTE: 2 PIECE FRONT GLASS FOR
L = 76", 87", 98"



Manufacturers of food service displays

SPECIFICATIONS

DIMENSIONS	CLDSU	CLDSU	CLDSU	CLDSU	CLDSU	CLDSU
	3948	5048	6248	7648	8748	9848
Length (in)	39"	50"	62"	76"	87"	98"
Depth (in)	40"	40"	40"	40"	40"	40"
Height (in)	48"	48"	48"	48"	48"	48"
ELECTRICAL						
Voltage	208/240	208/240	208/240	208/240	208/240	208/240
Amperes (Compressor and Light)	10	15	20	25	30	35
Amperes (Elect. Cond. Pan needs separate circuit)	-	-	-	-	-	-
Power Cord	DIRECT	DIRECT	DIRECT	DIRECT	DIRECT	DIRECT

NOTES

- All Specifications subject to change without notice.
- This Design is the property of QBD Modular Systems Inc. No copies or reproductions are permitted without the written permission of QBD Modular Systems Inc.
- ** All units are designed to operate under normal store conditions of 24°C (75°F) with 50% relative humidity.
- **Condensation on glass may occur in Hot/Humid conditions.QBD is not responsible for any consequential damages as a result.
- **QBD WARRANTY DOES NOT INCLUDE PRODUCT LOSS OR CONSEQUENTIAL DAMAGES HOWEVER CAUSED.



QBD MODULAR SYSTEMS INC.
31 BRAMSTEELE ROAD, BRAMPTON, ONTARIO, CANADA L6W 3K6
WWW.QBD.COM

1-800-663-3005
TEL: (905) 459-0709
FAX: (905) 459-1478
info@qbd.com

DR. BY:	Dave
DATE:	04 /05 /10
FILE:	CLDSUXX48