

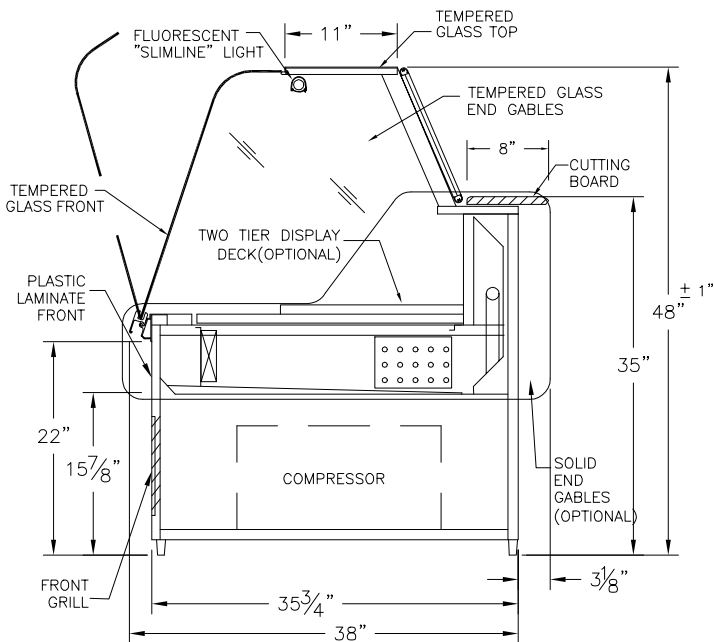
PROJECT:

QTY:

ITEM No. :

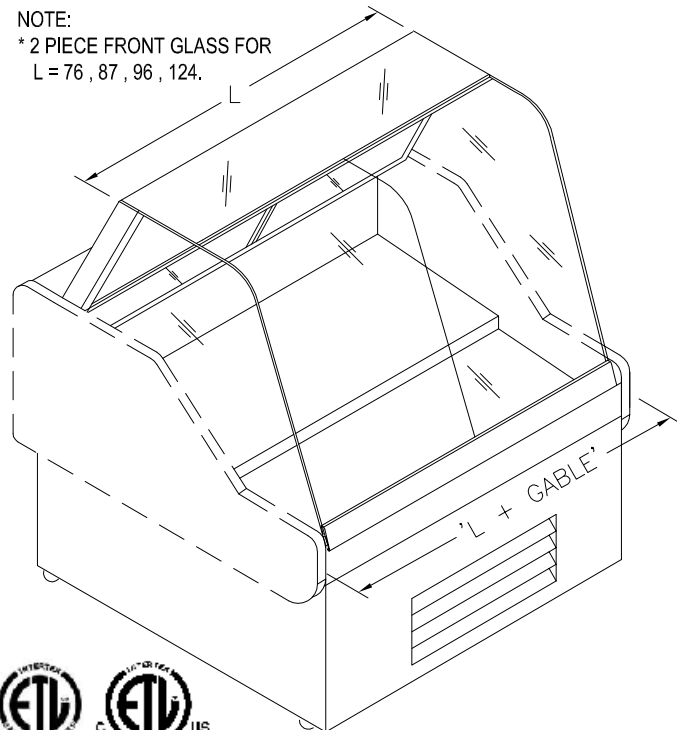
CLDXX48

FULL SERVE CLASSIC DELI MERCHANDISER



SIDE VIEW

NOTE:
* 2 PIECE FRONT GLASS FOR
L = 76 , 87 , 96 , 124.



* ALL DIMENSIONS ARE ± 1/8"



Manufacturers of food service displays

SPECIFICATIONS

DIMENSIONS	CLD 3948	CLD 5048	CLD 6248	CLD 7648	CLD 8748	CLD 9848	CLD 12448
Length (in)	39"	50"	62"	76"	87"	98"	124"
Depth (in)	38"	38"	38"	38"	38"	38"	38"
Height (in)	48"	48"	48"	48"	48"	48"	48"

ELECTRICAL

Voltage	120	120	120	220	220	220	220
Amperes (Compressor and Light)	10.6	13.4	13.7	11.2	11.2	11.2	12.0
Amperes (Elect. Cond. Pan needs separate circuit)	-	-	-	-	-	-	-
Power Cord	8 ft.	8 ft.	8 ft.	8 ft.	8 ft.	8 ft.	8 ft.

NOTES

All Specifications subject to change without notice.

This Design is the property of QBD Modular Systems Inc. No copies or reproductions are permitted without the written permission of QBD Modular Systems Inc.

** All units are designed to operate under normal store conditions of 24°C (75°F) with 50% relative humidity, and maintain the temperature between 35°F to 40°F.

**Condensation on glass may occur in Hot/Humid conditions.QBD Is not responsible for any consequential damages as a result.

**QBD WARRANTY DOES NOT INCLUDE PRODUCT LOSS OR CONSEQUENTIAL DAMAGES HOWEVER CAUSED. Please review detailed warranty statement prior to purchase.



MODULAR SYSTEMS INC.

31 BRAMSTEELE ROAD, BRAMPTON, ONTARIO, CANADA L6W 3K6

WWW.QBD.COM

1-800-663-3005

TEL: (905) 459-0709

FAX: (905) 459-1478

info@qbd.com

DR. BY: **Dave**

DATE: **05 /28 /10**

FILE: **CLDXX48**