

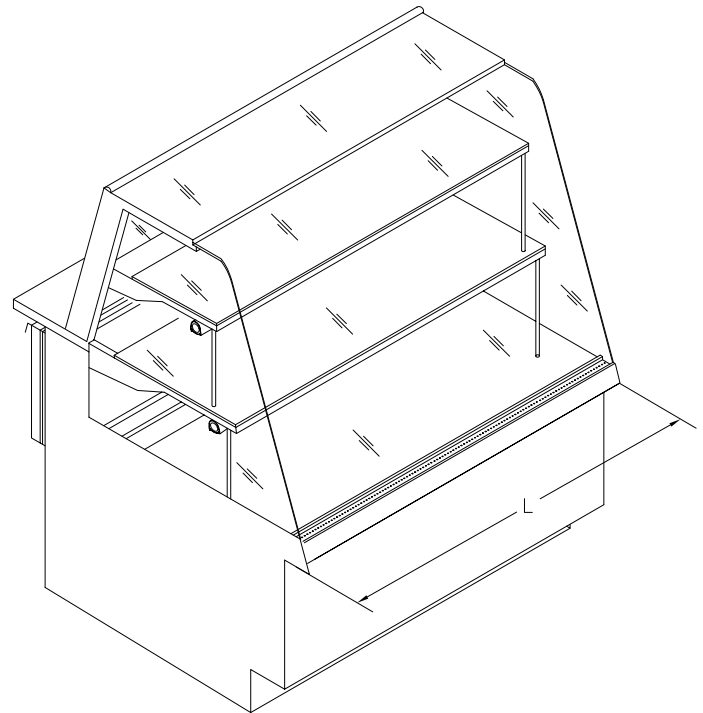
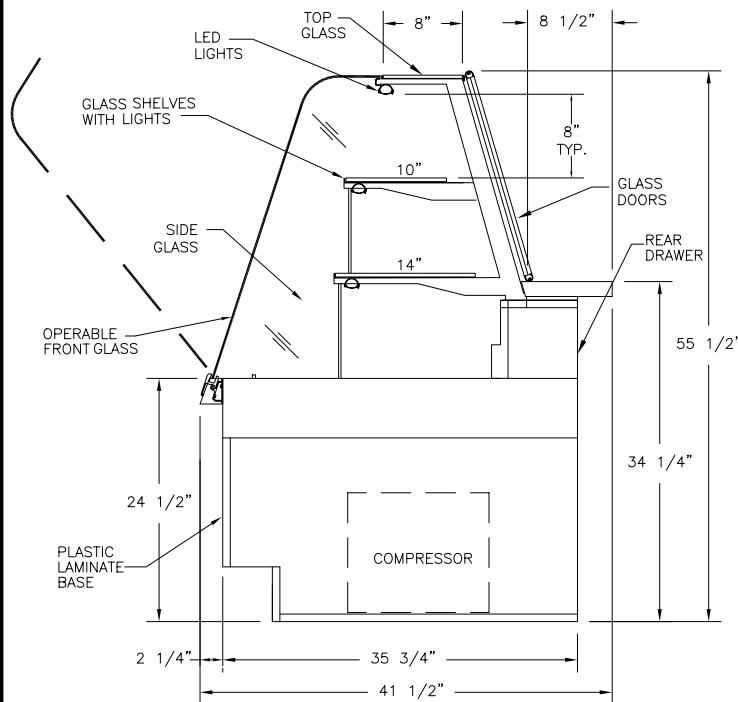
PROJECT:

QTY:

ITEM No.

# CLPXX55R

## CLASSIC PASTRY FULL-SERVE REFRIGERATED DISPLAY CASE



\* ALL DIMENSIONS ARE ± 1/8"



Manufacturers of food service displays

### SPECIFICATIONS

DIMENSIONS	CLP 3955R	CLP 4755R	CLP 6255R	CLP 7655R	CLP 9255R	MODEL No.
Length (in)	38.25"	46.25"	61.25"	75.25"	91.25"	L
Depth (in)	41.50"	41.50"	41.50"	41.50"	41.50"	D
Height (in)	55.5"	55.5"	55.5"	55.5"	55.5"	H

### ELECTRICAL

Voltage	120	120	120	120	220	120
Amperes (Compressor and Light)	9.6	10.6	11.7	12.8	10.2	-
Amperes (Elect. Cond. Pan needs separate circuit)	-	-	-	-	-	-
Power Cord	8 ft.	8 ft.	8 ft.	8 ft.	8 ft.	8 ft.

### NEMA Receptacle Configurations

FOR COMPRESSOR & LIGHTS	FOR L = 92" 250V 6-15R
FOR L = 39", 47" & 62" 125V 5-15R	FOR L = 76" 125V 5-20R

### NOTES

All Specifications subject to change without notice.

This Design Is the property of QBD Modular Systems Inc. No copies or reproductions are permitted without the written permission of QBD Modular Systems Inc.

\*\* All units are designed to operate under normal store conditions of 24°F(75°F) with 50% relative humidity, and maintain the temp. between 35°F to 40°F.

\*\*Condensation on glass may occur in Hot / Humid conditions. QBD is not responsible for any consequential damages as a result.

\*\*QBD WARRANTY DOES NOT INCLUDE PRODUCT LOSS OR CONSEQUENTIAL DAMAGES HOWEVER CAUSED. Please review detailed warranty statement prior to purchase.



**QBD MODULAR SYSTEMS INC.** TEL: (905) 459-0709  
 31 BRAMSTEELE ROAD, BRAMPTON, ONTARIO, CANADA L6W 3K6 FAX: (905) 459-1478  
 WWW.QBD.COM info@qbd.com

1-800-663-3005

DR. BY: Dave

DATE: 02/05/13

FILE: CLPXX55R