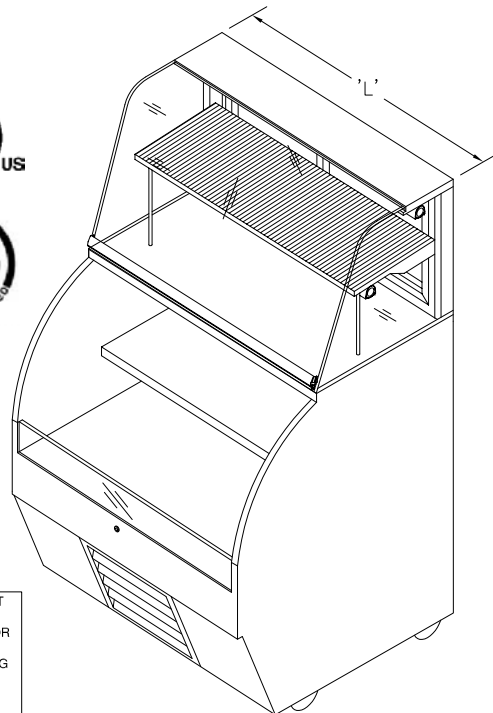
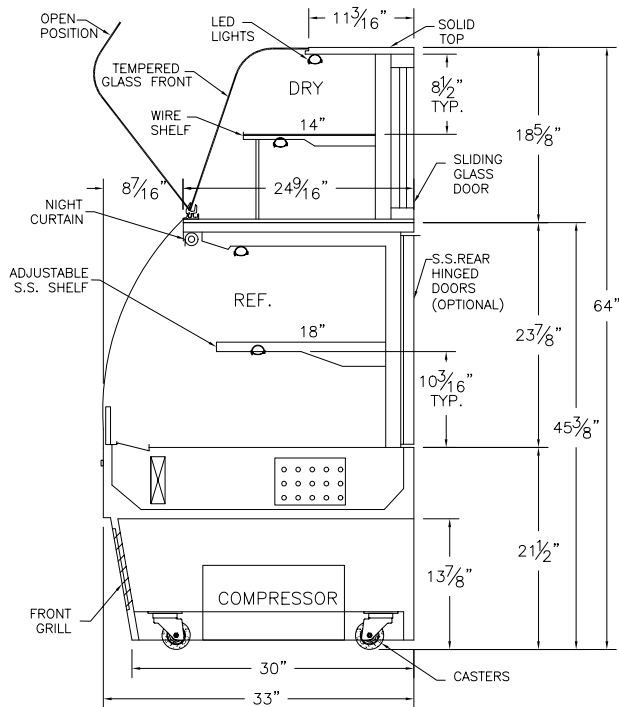


PROJECT:	QTY:	ITEM No.
----------	------	----------

CTCXX64HD

GRAB-N-GO COMBO DISPLAY



DISPLAY CASE MUST NOT BE LOCATED IN DIRECT SUNLIGHT OR NEAR SOURCES OF AIR FLOW INCLUDING DOORS, WINDOWS AND VENTILATION SYSTEMS.



Manufacturers of food service displays

SPECIFICATIONS

DIMENSIONS	CTC 3964	CTC 5064	CTC 6264	CTC 7664		
Length (in)	39	50	62	76		
Depth (in)	33	33	33	33		
Height (in)	64	64	64	64		
ELECTRICAL						
Voltage	120	120	208	120	208	120
Amperes (Compressor and Light)	11.2	12.5	8.2	-	9.6	-
Amperes (Elect. Cond. Pan needs separate circuit)	8.4	8.4	-	8.4	-	8.4
Power Cord	8 ft.	8 ft.	8 ft.	8 ft.	8 ft.	8 ft.

NOTES

All Specifications subject to change without notice.

This Design is the property of QBD Modular Systems Inc. No copies or reproductions are permitted without the written permission of QBD Modular Systems Inc.

- ** All units are designed to operate under normal store conditions of 24°C (75°F) with 50% relative humidity, and maintain the temperature between 35°F to 40°F.
- ** Condensation on glass may occur in Hot/Humid conditions. QBD is not responsible for any consequential damages as a result.
- ** QBD WARRANTY DOES NOT INCLUDE PRODUCT LOSS OR CONSEQUENTIAL DAMAGES HOWEVER CAUSED. Please review detailed warranty statement prior to purchase.



QBD MODULAR SYSTEMS INC. TEL: (905) 459-0709
 31 BRAMSTEELE ROAD, BRAMPTON, ONTARIO, CANADA L6W 3K6 FAX: (905) 459-1478
WWW.QBD.COM info@qbd.com

1-800-663-3005

DR. BY:	Dave
DATE:	11 / 30 / 12
FILE:	CTCXX64HD