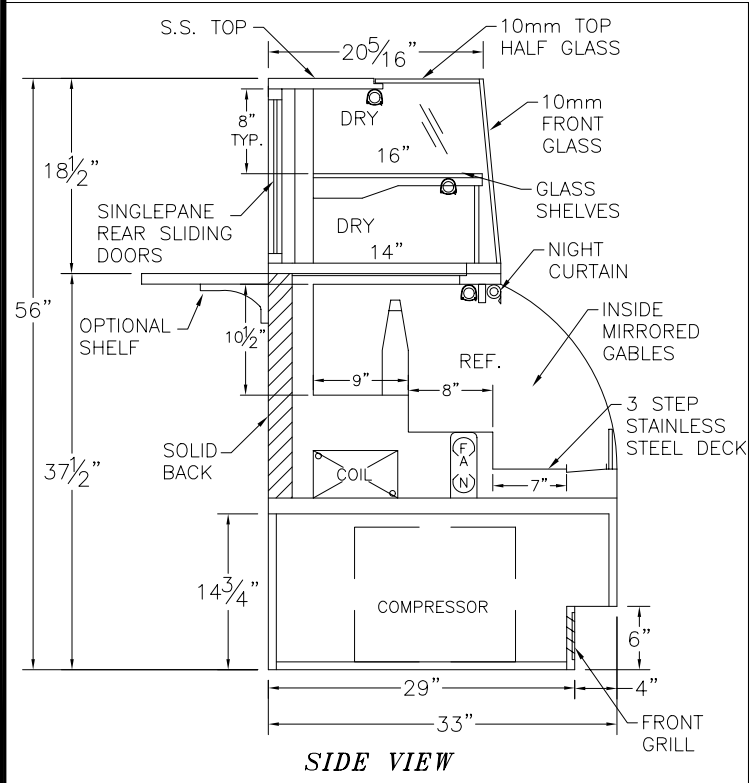


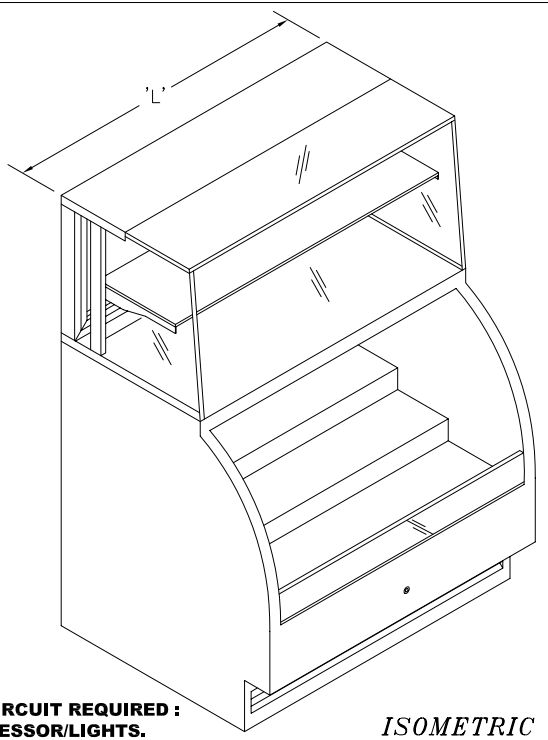
PROJECT:	QTY:	ITEM No.
-----------------	-------------	-----------------

CTCXX56DFS-RSS

GRAB-N-GO COMBINATION DISPLAY CASE



DISPLAY CASE MUST NOT BE LOCATED IN DIRECT SUNLIGHT OR NEAR SOURCES OF AIR FLOW INCLUDING DOORS, WINDOWS AND VENTILATION SYSTEMS.



*** 2 SEPERATE CIRCUIT REQUIRED :**
1-FOR COMPRESSOR/LIGHTS.
1-FOR ELECT. CONDENSATE PAN.



Manufacturers of food service displays

SPECIFICATIONS						
DIMENSIONS	CTC 2856 DFSRSS	CTC 3656 DFSRSS	CTC 4256 DFSRSS	CTC 4856 DFSRSS	CTC 6056 DFSRSS	MODEL No.
Length (in)	28"	36"	42"	48"	60"	L
Depth (in)	33"	33"	33"	33"	33"	D
Height (in)	56"	56"	56"	56"	56"	H
ELECTRICAL						
Voltage	120	120	120	120	120	120
Amperes (Compressor, Lights & Fans)	7.8	7.8	9.8	9.8	10.8	Amps.
Amperes (Elect. Cond. Pan)	8.4	8.4	8.4	8.4	8.4	Amps.
Power Cord	8 ft.	8 ft.	8 ft.	8 ft.	8 ft.	8 ft.
NEMA Receptacle Configurations		NOTES				
TWO SEPARATE POWER SUPPLY REQUIRED FOR ELECT. COND. PAN: 125V, 5-15R FOR COMPRESSOR & LIGHTS: 125V, 5-15R		All Specifications subject to change without notice. This Design Is the property of QBD Modular Systems Inc. No copies or reproductions are permitted without the written permission of QBD Modular Systems Inc. ** All units are designed to operate under normal store conditions of 24°C (75°F) with 50% relative humidity, and maintain the temperature between 35°F to 40°F. **Condensation on glass may occur in Hot / Humid conditions. QBD is not responsible for any consequential damages as a result. **QBD WARRANTY DOES NOT INCLUDE PRODUCT LOSS OR CONSEQUENTIAL DAMAGES HOWEVER CAUSED. Please review detailed warranty statement prior to purchase.				