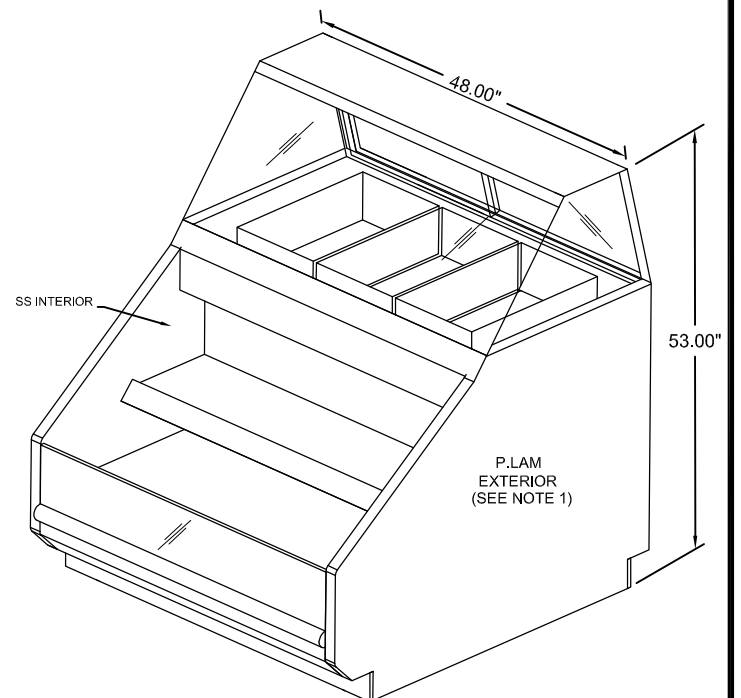
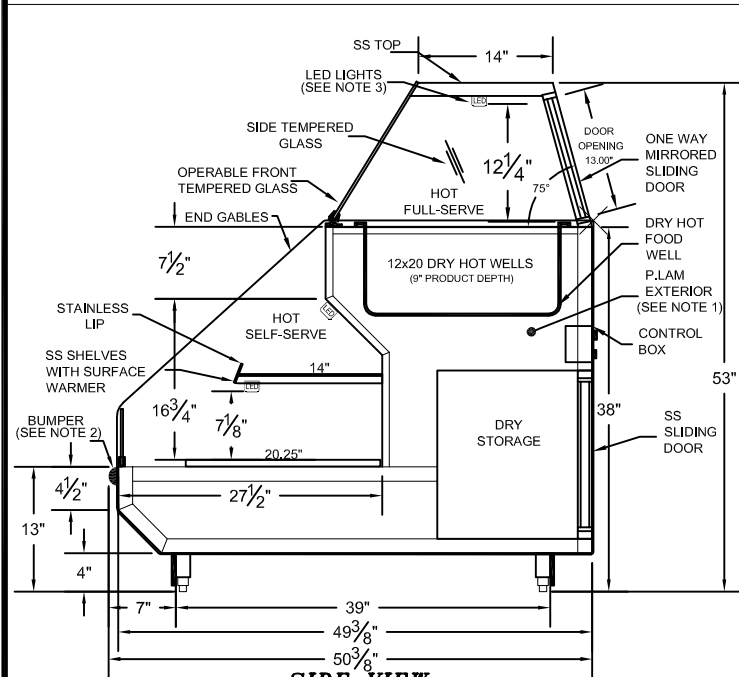


PROJECT:	QTY:	ITEM No.
----------	------	----------

CTC4853DH

HOT SELF/FULL SERVE CASE



- NOTES:**
1. P.LAM: UNIBOARD 744 INSPIRATION
 2. BUMPER: BLACK
 3. LIGHT TEMPERATURE: 3000K OR 3500K

*** ALL DIMENSIONS ARE ± 1/8"**



Manufacturers of food service displays

SPECIFICATIONS						
DIMENSIONS	CTC 4853DH	MODEL No.	MODEL No.	MODEL No.	MODEL No.	MODEL No.
Length (in)	48.00"	L	L	L	L	L
Depth (in)	50.37"	D	D	D	D	D
Height (in)	53.00"	H	H	H	H	H
ELECTRICAL						
Voltage	208/240 60HZ-3PH	120	120	120	120	120
Amperes (Shelves and Lights)	6.5	Amps.	Amps.	Amps.	Amps.	Amps.
Amperes (Hot Wells)	18	Amps.	Amps.	Amps.	Amps.	Amps.
Power Cord	8 ft.	8 ft.	8 ft.	8 ft.	8 ft.	8 ft.
NEMA Receptacle Configurations		NOTES				
1- Unit requires direct hook up 2- Two sources of power required: 208-240V, 25Amp Circuit for hot wells 208-240V, 15Amp Circuit for warming plates		All Specifications subject to change without notice. This Design is the property of QBD Modular Systems Inc.No copies or reproductions are permitted without the written permission of QBD Modular Systems Inc. ** All units are designed to operate under normal store conditions of 24°C(75°F) with 50% relative humidity, **Condensation on glass may occur in Hot / Humid conditions.QBD is not responsible for any consequential damages as a result. **QBD WARRANTY DOES NOT INCLUDE PRODUCT LOSS OR CONSEQUENTIAL DAMAGES HOWEVER CAUSED. Please review detailed warranty statement prior to purchase.				

QBD	MODULAR SYSTEMS INC. <small>31 BRAMSTEELE ROAD, BRAMPTON, ONTARIO, CANADA L6W 3K6</small> WWW.QBD.COM	1-800-663-3005 TEL: (905) 459-0709 FAX: (905) 459-1478 info@qbd.com	DR. BY: Hesam DATE: 10 /06 /15 FILE: CTC4853DH
------------	---	--	---