

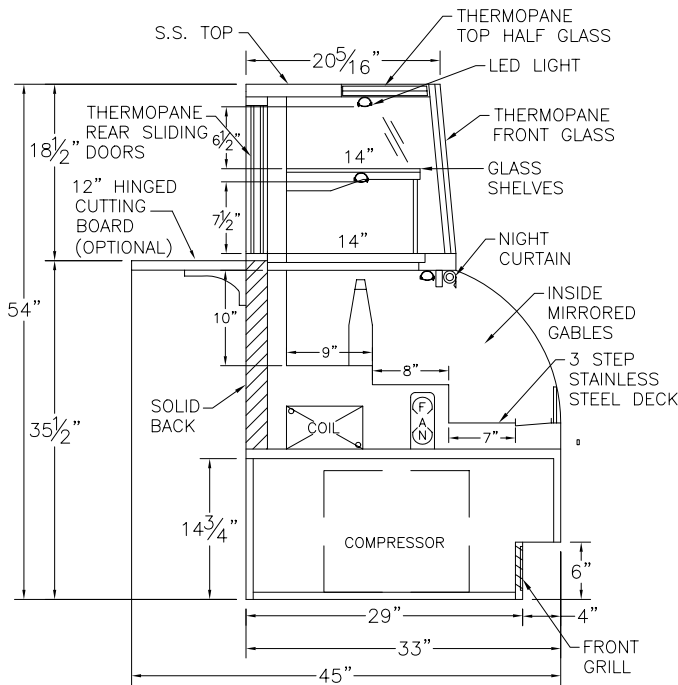
PROJECT:

QTY: 1

ITEM No.

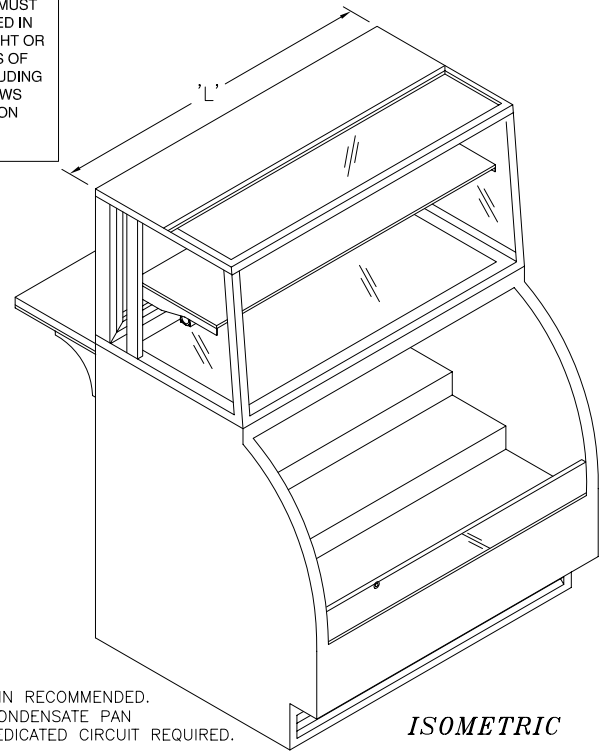
CTCXX54FS-SS

GRAB-N-GO COMBINATION DISPLAY CASE



SIDE VIEW

DISPLAY CASE MUST NOT BE LOCATED IN DIRECT SUNLIGHT OR NEAR SOURCES OF AIR FLOW INCLUDING DOORS, WINDOWS AND VENTILATION SYSTEMS.



- * DIRECT DRAIN RECOMMENDED.
- * ELECTRIC CONDENSATE PAN
- * 15 Amp. DEDICATED CIRCUIT REQUIRED.



THREE SEPERATE POWER SUPPLY REQUIRED

NEMA PLUG CONFIGURATION



120v

5-15P

FOR ELECTRIC CONDENSATE PAN



120v

5-15P

COMPRESSOR & LIGHTS for CTC3654FSSS,CTC3954FSSS, CTC4254FSSS,CTC4654FSSS, CTC4854FSSS



208-240v

6-15P

FOR COMPRESSOR & LIGHTS for CTC7254FSSS

SPECIFICATIONS

DIMENSIONS	CTC 3654FSSS	CTC 3954FSSS	CTC 4254FSSS	CTC 4654FSSS	CTC 4854FSSS	CTC 7254FSSS
	Length (in)	36"	39"	42"	46"	48"
Depth (in)	45"	45"	45"	45"	45"	45"
Height (in)	54"	54"	54"	54"	54"	54"
ELECTRICAL						
Voltage	120	120	120	120	120	208
Amperes (Compressor)	9.2	9.2	9.2	9.2	9.2	8.0
Amperes (Elec. Cond. Pan)	8.3	8.3	8.3	8.3	8.3	8.3
Power Cord	8 ft.	8 ft.	8 ft.	8 ft.	8 ft.	8 ft.

NOTES

All Specifications subject to change without notice.

This Design is the property of QBD Modular Systems Inc. No copies or reproductions are permitted without the written permission of QBD Modular Systems Inc.

** All units are designed to operate under normal store conditions of 24°C (75°F) with 50% relative humidity, and maintain the temperature between 35°F to 40°F.

**Condensation on glass may occur in Hot/Humid conditions.QBD Is not responsible for any consequential damages as a result.

**QBD WARRANTY DOES NOT INCLUDE PRODUCT LOSS OR CONSEQUENTIAL DAMAGES HOWEVER CAUSED. Please review detailed warranty statement prior to purchase.

Manufacturers of food service displays



QBD MODULAR SYSTEMS INC. TEL: (905) 459-0709

31 BRAMSTEELE ROAD, BRAMPTON, ONTARIO, CANADA L6W 3K6

WWW.QBD.COM

1-800-663-3005

FAX: (905) 459-1478

info@qbd.com

DR. BY: Dave

DATE: 10/26/12

FILE: CTCXX54FSSS