

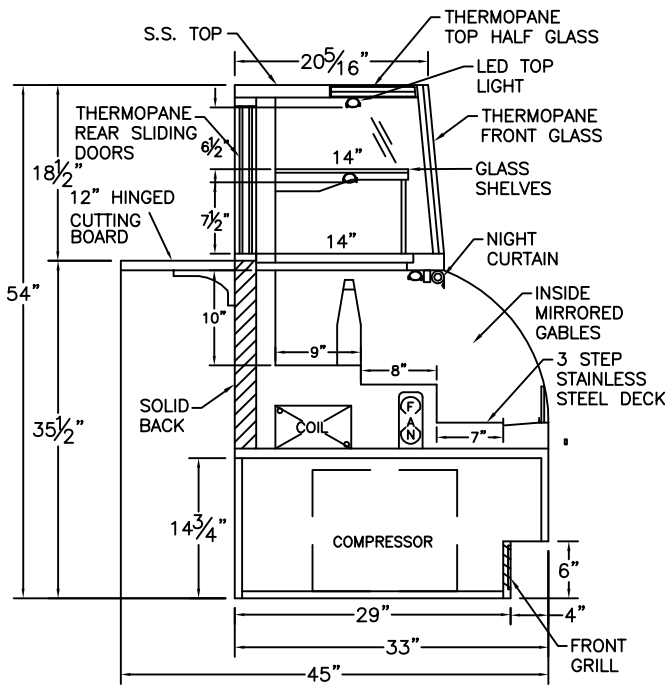
PROJECT:

QTY: 1

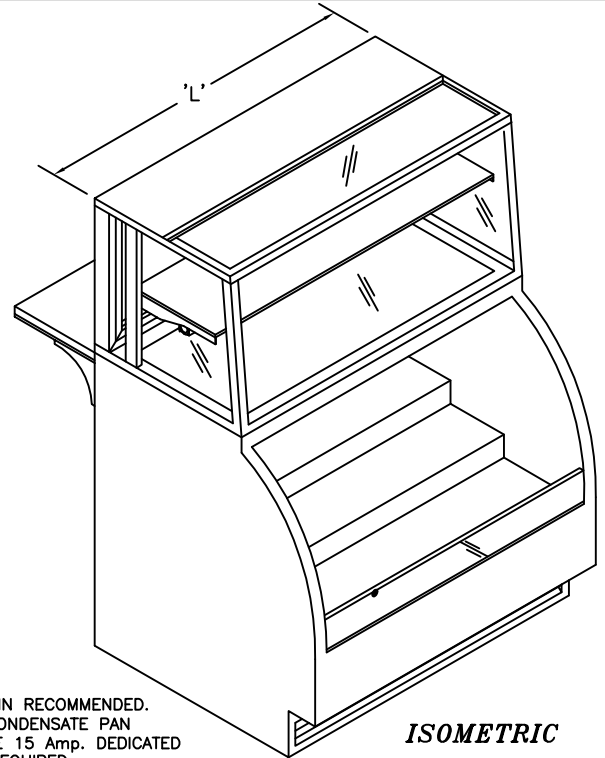
ITEM No.

CTCXX54FS-SS

GRAB-N-GO COMBINATION DISPLAY CASE



SIDE VIEW



- * DIRECT DRAIN RECOMMENDED.
- * ELECTRIC CONDENSATE PAN
- * 2 SEPERATE 15 Amp. DEDICATED CIRCUITS REQUIRED.

* PICTURE FOR REFERENCE ONLY



Manufacturers of food service displays

SPECIFICATIONS

DIMENSIONS	CTC	CTC	CTC	CTC	MODEL	MODEL
	3654FSSS	4254FSSS	4654FSSS	4854FSSS	No.	No.
Length (in)	36"	42"	46"	48"	L	L
Depth (in)	45"	45"	45"	45"	D	D
Height (in)	54"	54"	54"	54"	H	H
ELECTRICAL						
Voltage	120	120	120	120	120	120
Amperes (Compressor)	9.2	9.2	9.2	9.2	Amps.	Amps.
Amperes (Elec. Cond. Pan)	8.3	8.3	8.3	8.3	Amps.	Amps.
Power Cord	8 ft.	8 ft.	8 ft.	8 ft.	8 ft.	8 ft.

NOTES

All Specifications subject to change without notice.

This Design is the property of QBD Modular Systems Inc. No copies or reproductions are permitted without the written permission of QBD Modular Systems Inc.

** All units are designed to operate under normal store conditions of 24°C (75°F) with 50% relative humidity, and maintain the temperature between 35°F to 40°F.

**Condensation on glass may occur in Hot/Humid conditions.QBD Is not responsible for any consequential damages as a result.

**QBD WARRANTY DOES NOT INCLUDE PRODUCT LOSS OR CONSEQUENTIAL DAMAGES HOWEVER CAUSED. Please review detailed warranty statement prior to purchase.



QBD MODULAR SYSTEMS INC. TEL: (905) 459-0709
 31 BRAMSTEELE ROAD, BRAMPTON, ONTARIO, CANADA L6W 3K6 FAX: (905) 459-1478
WWW.QBD.COM info@qbd.com

1-800-663-3005

DR. BY. **Hesam**

DATE: **7/07/16**

FILE: **CTCXX54FSSS**