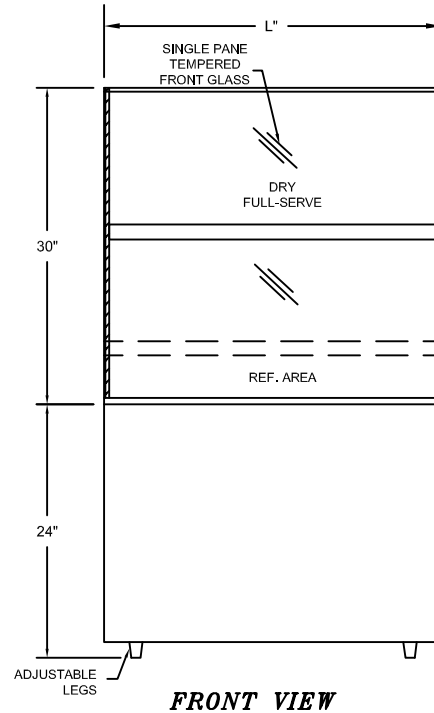
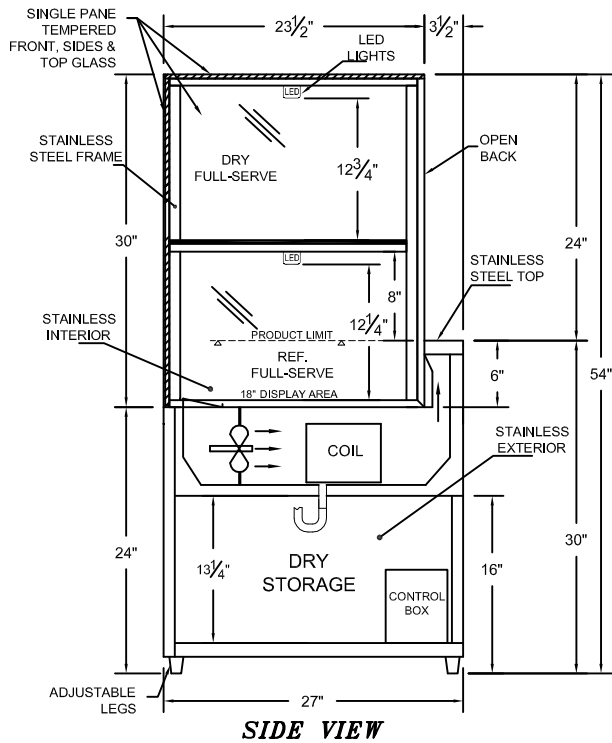


PROJECT:	QTY:	ITEM No.
----------	------	----------

CTCXX54R

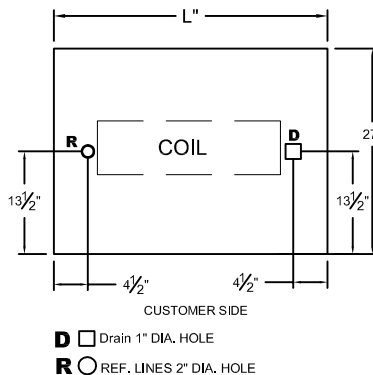
FULL SERVE COMBINATION CASE (REMOTE)



*** ALL DIMENSIONS ARE ± 1/8"**



PLAN VIEW



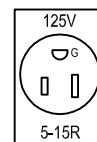
Manufacturers of food service displays

SPECIFICATIONS

DIMENSIONS	CTC 3254R	CTC 3654R	MODEL No.	MODEL No.	MODEL No.	MODEL No.
Length (in)	32"	36"	L	L	L	L
Depth (in)	27"	27"	D	D	D	D
Height (in)	54"	54"	H	H	H	H
ELECTRICAL						
Voltage	120	120	120	120	120	120
Amperes (Fans and Lights)	2.5	2.8	Amps.	Amps.	Amps.	Amps.
Amperes (Elect. Cond. Pan needs separate circuit)	-	-	Amps.	Amps.	Amps.	Amps.
Power Cord	8 ft.	8 ft.	8 ft.	8 ft.	8 ft.	8 ft.

NEMA Receptacle Configurations

FOR FANS & LIGHTS



NOTES

All Specifications subject to change without notice.
 This Design is the property of QBD Modular Systems Inc. No copies or reproductions are permitted without the written permission of QBD Modular Systems Inc.
 ** All units are designed to operate under normal store conditions of 24°C(75°F) with 50% relative humidity, and maintain the temp. between 35°F to 40°F.
 **Condensation on glass may occur in Hot / Humid conditions. QBD is not responsible for any consequential damages as a result.
 **QBD WARRANTY DOES NOT INCLUDE PRODUCT LOSS OR CONSEQUENTIAL DAMAGES HOWEVER CAUSED. Please review detailed warranty statement prior to purchase.



QBD MODULAR SYSTEMS INC.
 31 BRAMSTEELE ROAD, BRAMPTON, ONTARIO, CANADA L6W 3K6
WWW.QBD.COM

1-800-663-3005
 TEL: (905) 459-0709
 FAX: (905) 459-1478
info@qbd.com

DR. BY:	Hesam
DATE:	06/09/16
FILE:	CTCXX54R