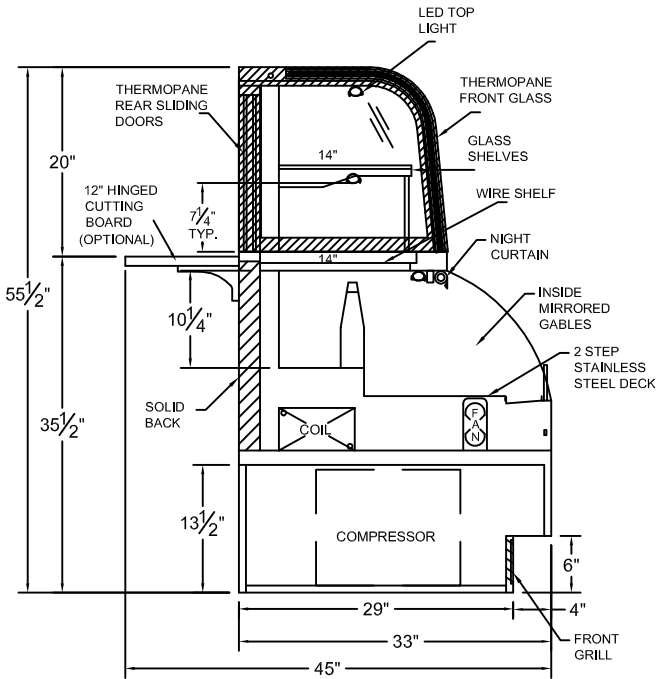


<b>PROJECT:</b>	<b>QTY:</b>	<b>ITEM No.</b>
-----------------	-------------	-----------------

# CTCXX55FS-SS

## GRAB-N-GO COMBINATION DISPLAY CASE



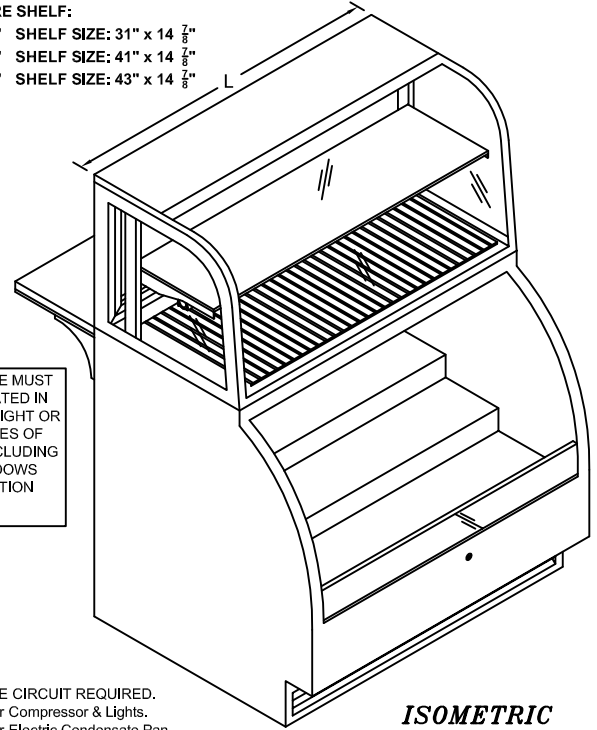
**SIDE VIEW**

**\* SIZE OF WIRE SHELF:**

1. For L=36" SHELF SIZE: 31" x 14 <sup>7</sup>/<sub>8</sub>"
2. For L=46" SHELF SIZE: 41" x 14 <sup>7</sup>/<sub>8</sub>"
3. For L=48" SHELF SIZE: 43" x 14 <sup>7</sup>/<sub>8</sub>"

DISPLAY CASE MUST NOT BE LOCATED IN DIRECT SUNLIGHT OR NEAR SOURCES OF AIR FLOW INCLUDING DOORS, WINDOWS AND VENTILATION SYSTEMS.

\* TWO SEPERATE CIRCUIT REQUIRED.  
 -120/1/15Amp. for Compressor & Lights.  
 -120/1/15Amp. for Electric Condensate Pan.



\* PICTURE FOR REFERENCE ONLY

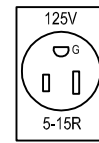
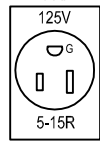


*Manufacturers of food service displays*

### SPECIFICATIONS

DIMENSIONS	CTC 3655FSSS	CTC 4655FSSS	CTC 4855FSSS	MODEL No.	MODEL No.	MODEL No.
Length (in)	36"	46"	48"	L	L	L
Depth (in)	45"	45"	45"	D	D	D
Height (in)	55.50"	55.50"	55.50"	H	H	H
<b>ELECTRICAL</b>						
Voltage	120	120	120	120	120	120
Amperes (Compressor)	9.2	9.2	9.2	Amps.	Amps.	Amps.
Amperes (Elec. Cond. Pan)	8.3	8.3	8.3	Amps.	Amps.	Amps.
Power Cord	8 ft.	8 ft.	8 ft.	8 ft.	8 ft.	8 ft.

NEMA Receptacle Configurations	NOTES
<b>TWO SEPARATE POWER SUPPLY REQUIRED</b>	All Specifications subject to change without notice.  This Design is the property of QBD Modular Systems Inc.No copies or reproductions are permitted without the written permission of QBD Modular Systems Inc.  ** All units are designed to operate under normal store conditions of 24°F(75°F) with 50% relative humidity, and maintain the temp. between 35°F to 40°F. **Condensation on glass may occur in Hot / Humid conditions.QBD is not responsible for any consequential damages as a result. **QBD WARRANTY DOES NOT INCLUDE PRODUCT LOSS OR CONSEQUENTIAL DAMAGES HOWEVER CAUSED. Please review detailed warranty statement prior to purchase.
FOR ELECT. COND. PAN	
FOR COMPRESSOR & LIGHTS	



**QBD MODULAR SYSTEMS INC.** TEL: (905) 459-0709  
 31 BRAMSTEELE ROAD, BRAMPTON, ONTARIO, CANADA L6W 3K6 FAX: (905) 459-1478  
[WWW.QBD.COM](http://WWW.QBD.COM) info@qbd.com

1-800-663-3005

DR. BY: **Hesam**

DATE: **04 / 28 / 16**

FILE: **CTCXX55FSSS**