

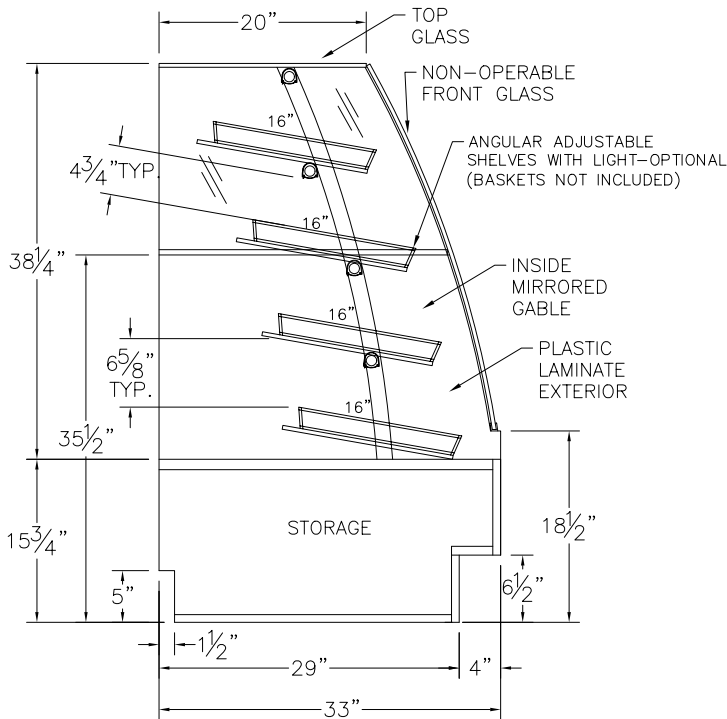
PROJECT:

QTY: 1

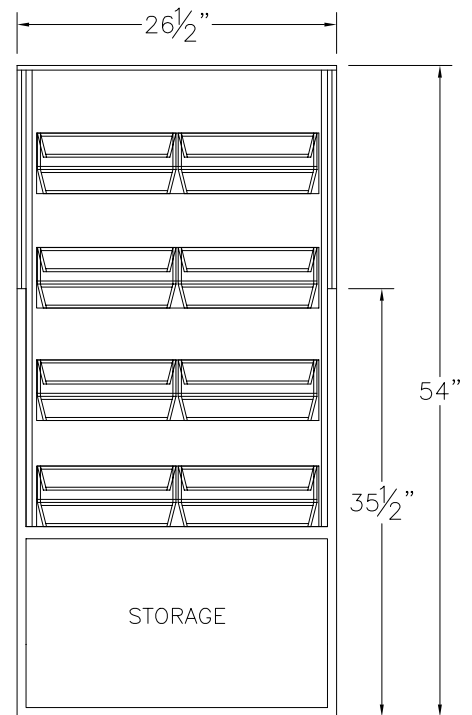
ITEM No.

CTD2754

DRY DISPLAY CASE



SIDE VIEW



REAR VIEW

* 4 ROWS
8 BASKETS



Manufacturers of food service displays

SPECIFICATIONS

DIMENSIONS	CTD 2754	MODEL No.	MODEL No.	MODEL No.	MODEL No.	MODEL No.
Length (in)	26.50"	L	L	L	L	L
Depth (in)	33"	D	D	D	D	D
Height (in)	54"	H	H	H	H	H
ELECTRICAL						
Voltage	120	120	120	120	120	120
Amperes (Lights)	4.0	Amps.	Amps.	Amps.	Amps.	Amps.
Amperes (Elec. Cond. Pan)		Amps.	Amps.	Amps.	Amps.	Amps.
Power Cord	8 ft.	8 ft.	8 ft.	8 ft.	8 ft.	8 ft.

NOTES

All Specifications subject to change without notice.

This Design is the property of QBD Modular Systems Inc. No copies or reproductions are permitted without the written permission of QBD Modular Systems Inc.

** All units are designed to operate under normal store conditions of 24°C (75°F) with 50% relative humidity.

**Condensation on glass may occur in Hot/Humid conditions. QBD is not responsible for any consequential damages as a result.

**QBD WARRANTY DOES NOT INCLUDE PRODUCT LOSS OR CONSEQUENTIAL DAMAGES HOWEVER CAUSED.



QBD MODULAR SYSTEMS INC. TEL: (905) 459-0709
31 BRAMSTEELE ROAD, BRAMPTON, ONTARIO, CANADA L6W 3K6 FAX: (905) 459-1478
WWW.QBD.COM info@qbd.com

1-800-663-3005

DR. BY: **Dave**

DATE: **04/ 25 / 10**

FILE: **CTD2754**