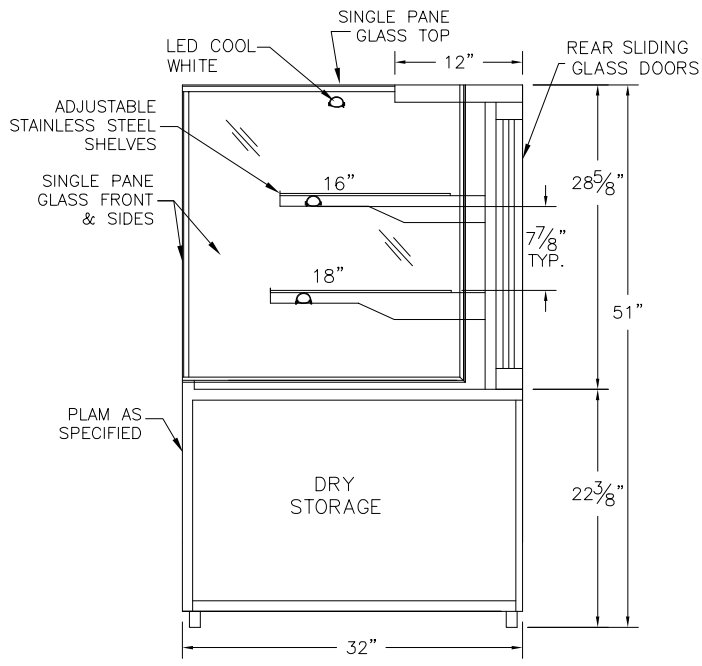


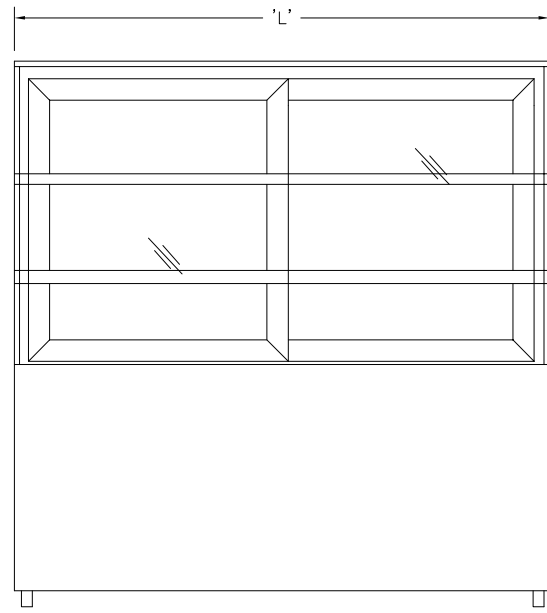
PROJECT:	QTY:	ITEM No.
-----------------	-------------	-----------------

CTDXX51

FULL SERVE DRY DISPLAY CASE



SIDE VIEW



FRONT VIEW

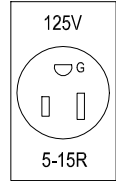
*** ALL DIMENSIONS ARE ± 1/8"**

PICTURE NOT AVAILABLE

Manufacturers of food service displays

SPECIFICATIONS

DIMENSIONS	CTD 3651	CTD 4851	CTD 6051	MODEL No,	MODEL No,	MODEL No,
Length (in)	36"	48"	60"	L	L	L
Depth (in)	32"	32"	32"	D	D	D
Height (in)	51"	51"	51"	H	H	H
ELECTRICAL						
Voltage	120	120	120	120	120	120
Amperes (Lights)	2.6	2.6	2.6	-	-	-
Amperes (Elect. Cond. Pan needs separate circuit)	-	-	-	-	-	-
Power Cord	8 ft.	8 ft.	8 ft.	8 ft.	8 ft.	8 ft.

NEMA Receptacle Configurations	NOTES
FOR LIGHTS 	All Specifications subject to change without notice. This Design Is the property of QBD Modular Systems Inc.No copies or reproductions are permitted without the written permission of QBD Modular Systems Inc. ** All units are designed to operate under normal store conditions of 24°F(75°F) with 50 % relative humidity, and maintain the temp. between 35°F to 40°F. **Condensation on glass may occur in Hot / Humid conditions.QBD is not responsible for any consequential damages as a result. **QBD WARRANTY DOES NOT INCLUDE PRODUCT LOSS OR CONSEQUENTIAL DAMAGES HOWEVER CAUSED. Please review detailed warranty statement prior to purchase.



1-800-663-3005
TEL: (905) 459-0709
FAX: (905) 459-1478
info@qbd.com

DR. BY: Dave
DATE: 11 / 13 / 13
FILE: CTDXX51