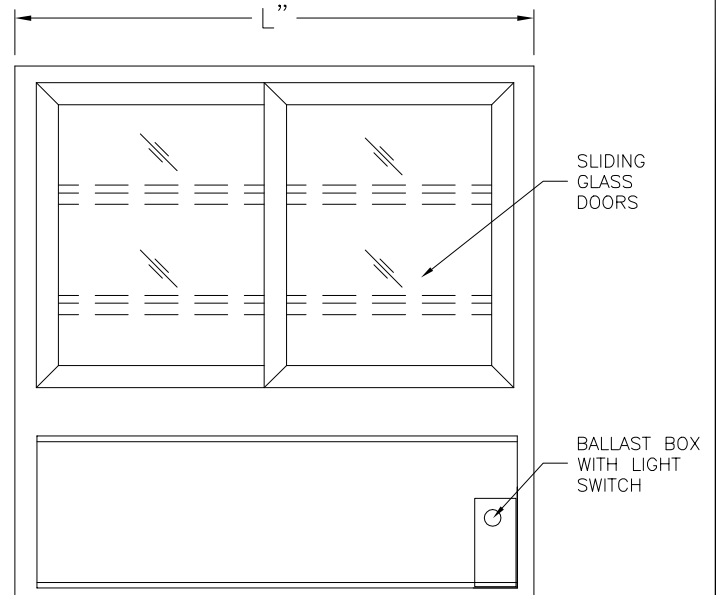
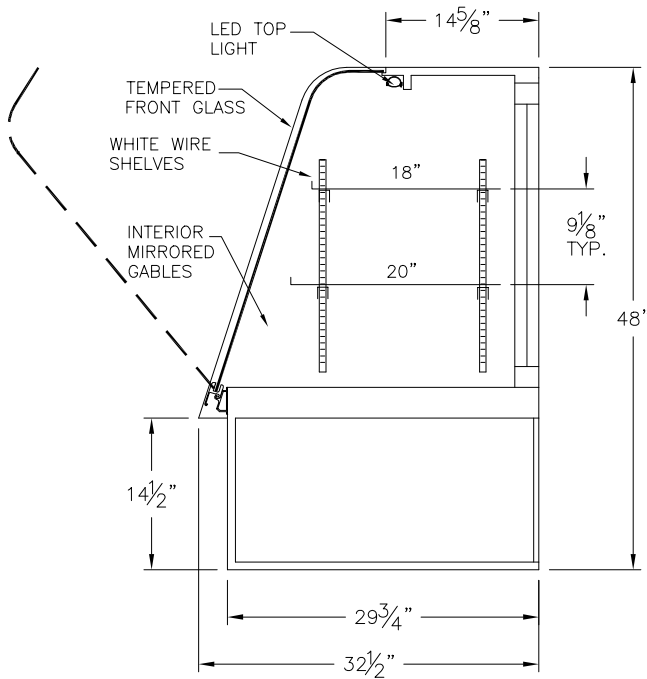


PROJECT:	QTY:	ITEM No.
----------	------	----------

# CTDXX48

## CLASSIC III DRY PASTRY DISPLAY CASE



**\* ALL DIMENSIONS ARE ± 1/8"**



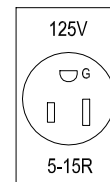
*Manufacturers of food service displays*

### SPECIFICATIONS

DIMENSIONS	CTD 2648	CTD 3948	CTD 4748	CTD 6248	CTD 7648	CTD 9248
Length (in)	25.75"	38.75"	46.75"	61.75"	75.75"	91.75"
Depth (in)	32.50"	32.50"	32.50"	32.50"	32.50"	32.50"
Height (in)	48.00"	48.00"	48.00"	48.00"	48.00"	48.00"
<b>ELECTRICAL</b>						
Voltage	120	120	120	120	120	120
Amperes (Compressor and Light)	1.0	1.0	1.0	1.0	1.0	3.6
Amperes (Elect. Cond. Pan needs separate circuit)	-	-	-	-	-	-
Power Cord	8 ft.	8 ft.	8 ft.	8 ft.	8 ft.	8 ft.

**NEMA Receptacle Configurations**

FOR LIGHTS



### NOTES

All Specifications subject to change without notice.

This Design Is the property of QBD Modular Systems Inc. No copies or reproductions are permitted without the written permission of QBD Modular Systems Inc.

\*\* All units are designed to operate under normal store conditions of 24°C(75°F) with 50 % relative humidity, and maintain the temp. between 35°F to 40°F.

\*\*Condensation on glass may occur in Hot / Humid conditions. QBD Is not responsible for any consequential damages as a result.

\*\*QBD WARRANTY DOES NOT INCLUDE PRODUCT LOSS OR CONSEQUENTIAL DAMAGES HOWEVER CAUSED. Please review detailed warranty statement prior to purchase.



**MODULAR SYSTEMS INC.**  
31 BRAMSTEELE ROAD, BRAMPTON, ONTARIO, CANADA L6W 3K6  
[WWW.QBD.COM](http://WWW.QBD.COM)

1-800-663-3005  
TEL: (905) 459-0709  
FAX: (905) 459-1478  
[info@qbd.com](mailto:info@qbd.com)

DR. BY: **Dave**

DATE: **09/ 29/ 12**

FILE: **CTDXX48**