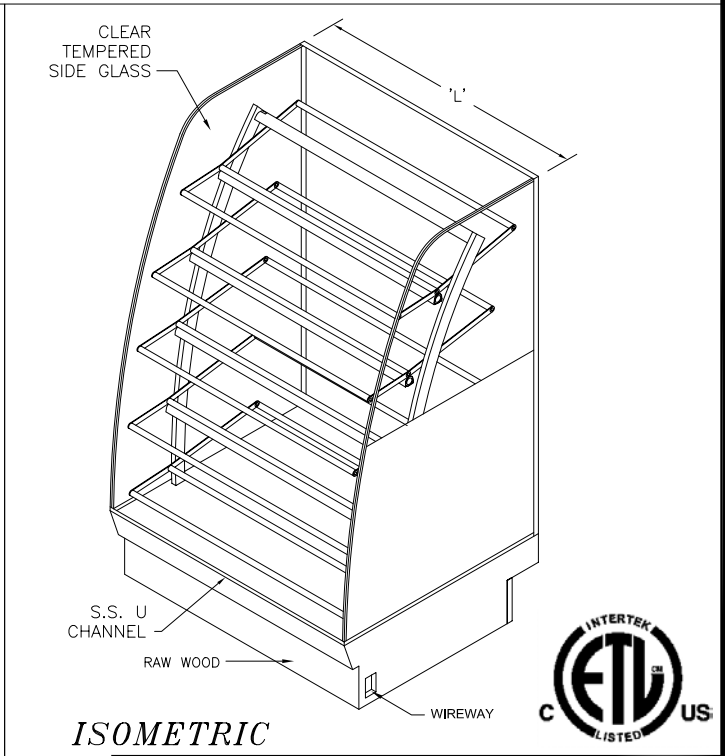
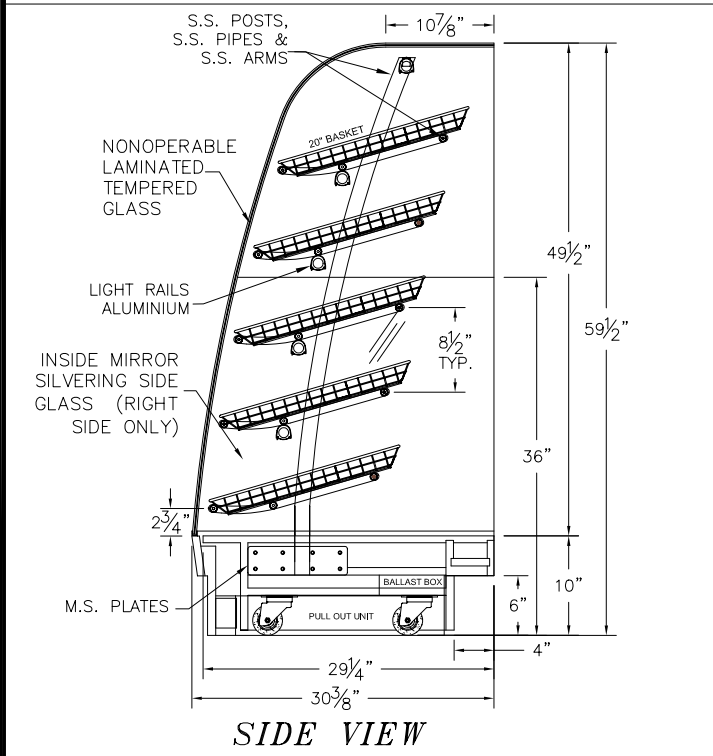


PROJECT:	QTY:	ITEM No.
-----------------	-------------	-----------------

CTDXX60GS

DRY DONUT DISPLAY CASE



Manufacturers of food service displays

SPECIFICATIONS						
DIMENSIONS	CTD 3560GS	CTD 4560GS	MODEL No.	MODEL No.	MODEL No.	MODEL No.
Length (in)	35"	45"	L	L	L	L
Depth (in)	30.375"	30.375"	D	D	D	D
Height (in)	59.50"	59.50"	H	H	H	H
ELECTRICAL						
Voltage	120	120	120	120	120	120
Amperes (Light)	4.2	4.2	Amps.	Amps.	Amps.	Amps.
Amperes (Elect. Cond. Pan needs separate circuit)	Amps.	Amps.	Amps.	Amps.	Amps.	Amps.
Power Cord	8 ft.	8 ft.	8 ft.	8 ft.	8 ft.	8 ft.

NOTES

All Specifications subject to change without notice.

This Design is the property of QBD Modular Systems Inc. No copies or reproductions are permitted without the written permission of QBD Modular Systems Inc.

*** All units are designed to operate under normal store conditions of 24°C (75°F) with 50% relative humidity.
 ***Condensation on glass may occur in Hot/Humid conditions

	QBD MODULAR SYSTEMS INC.	1-800-663-3005	DR. BY: Dave
	31 BRAMSTEELE ROAD, BRAMPTON, ONTARIO, CANADA L6W 3K6	TEL: (905) 459-0709	DATE: 07/ 07/ 10
	WWW.QBD.COM	FAX: (905) 459-1478	FILE: CTDXX60GS