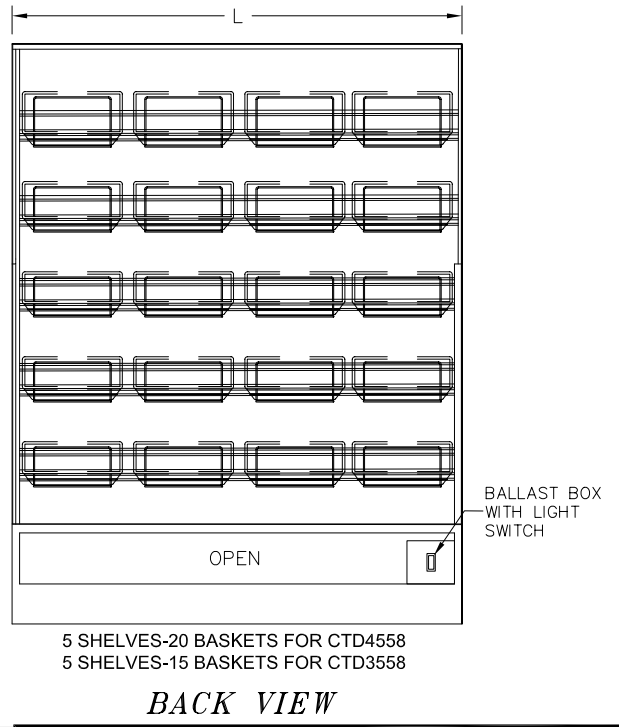
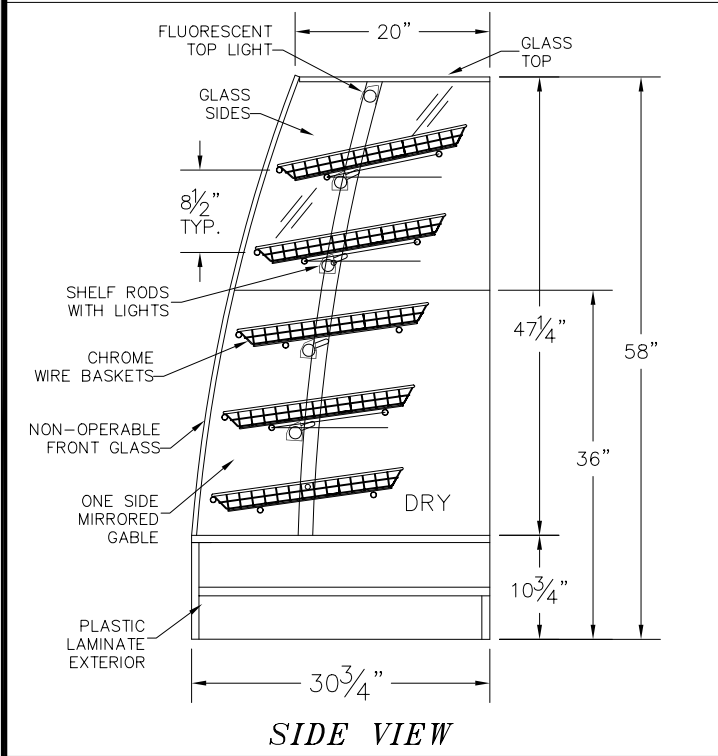


| | | |
|-----------------|-------------|-----------------|
| PROJECT: | QTY: | ITEM No. |
|-----------------|-------------|-----------------|

CTDXX58

FULL SERVE DRY BAKERY DISPLAY UNIT



Manufacturers of food service displays

SPECIFICATIONS

| DIMENSIONS | CTD 3558 | CTD 4558 | MODEL No. | MODEL No. | MODEL No. | MODEL No. |
|---|----------|----------|-----------|-----------|-----------|-----------|
| Length (in) | 35" | 45" | L | L | L | L |
| Depth (in) | 30.75" | 30.75" | D | D | D | D |
| Height (in) | 58" | 58" | H | H | H | H |
| ELECTRICAL | | | | | | |
| Voltage | 120 | 120 | 120 | 120 | 120 | 120 |
| Amperes (Compressor and Light) | 3.8 | 3.8 | Amps. | Amps. | Amps. | Amps. |
| Amperes (Elect. Cond. Pan needs separate circuit) | Amps. | Amps. | Amps. | Amps. | Amps. | Amps. |
| Power Cord | 8 ft. | 8 ft. | 8 ft. | 8 ft. | 8 ft. | 8 ft. |

NOTES

All Specifications subject to change without notice.

This Design is the property of QBD Modular Systems Inc. No copies or reproductions are permitted without the written permission of QBD Modular Systems Inc.

*** All units are designed to operate under normal store conditions of 24°C (75°F) with 50% relative humidity.
 ***Condensation on glass may occur in Hot/Humid conditions



QBD

QBD MODULAR SYSTEMS INC.

31 BRAMSTEELE ROAD, BRAMPTON, ONTARIO, CANADA L6W 3K6

WWW.QBD.COM

1-800-663-3005

TEL: (905) 459-0709

FAX: (905) 459-1478

info@qbd.com

DR. BY: **Dave**

DATE: **04-08-10**

FILE: **CTDXX58**