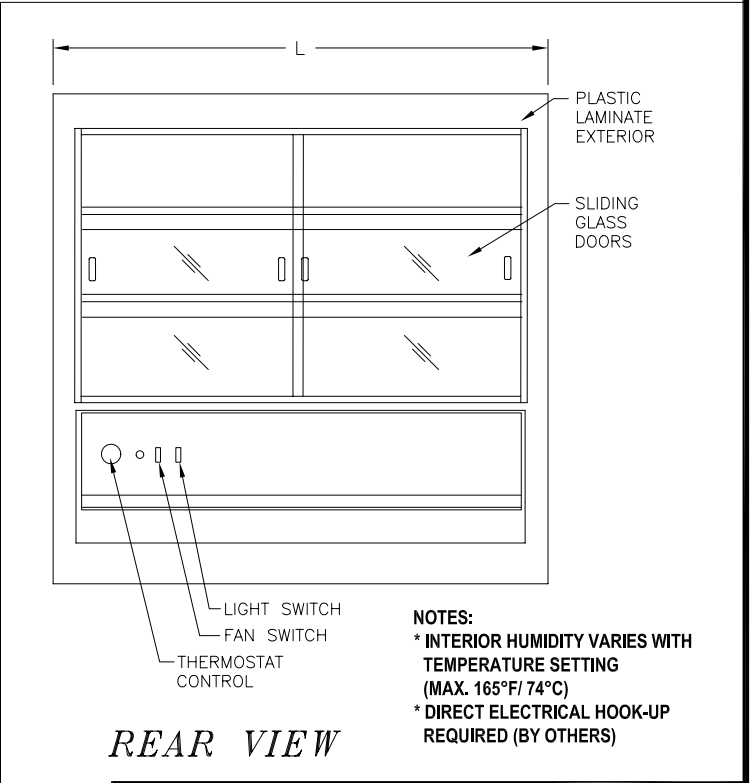
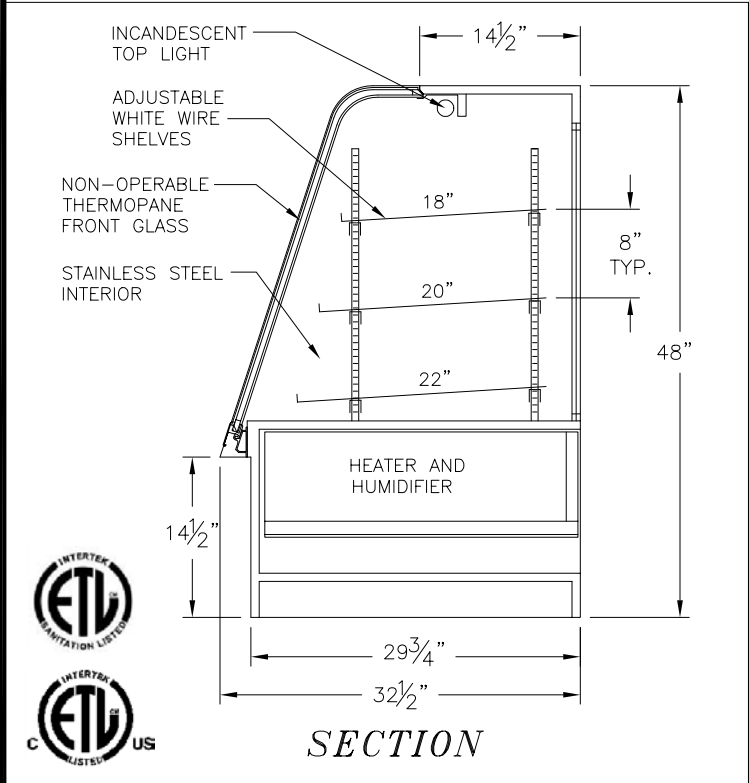


PROJECT:	QTY:	ITEM No. :
-----------------	-------------	-------------------

CTHXX48

CLASSIC III HEATED DISPLAY CASE



Manufacturers of food service displays

SPECIFICATIONS						
DIMENSIONS	CTH 4148	CTH 4948	MODEL No,	MODEL No,	MODEL No,	MODEL No,
Length (in)	40.75"	48.75"	L	L	L	L
Depth (in)	32.50"	32.50"	D	D	D	D
Height (in)	48"	48"	H	H	H	H
ELECTRICAL						
Voltage	120/240	120/240	120	120	120	120
Amperes (Compressor and Light)	9.8	19.6	Amps.	Amps.	Amps.	Amps.
Amperes (Elect. Cond. Pan needs separate circuit)	-	-	Amps.	Amps.	Amps.	Amps.
Power Cord	DIRECT	DIRECT	8 ft.	8 ft.	8 ft.	8 ft.

NOTES

All Specifications subject to change without notice.

This Design is the property of QBD Modular Systems Inc. No copies or reproductions are permitted without the written permission of QBD Modular Systems Inc.

** All units are designed to operate under normal store conditions of 24°C (75°F) with 50% relative humidity, and maintain the temperature between 35°F to 40°F.

**Condensation on glass may occur in Hot/Humid conditions.QBD is not responsible for any consequential damages as a result.

**QBD WARRANTY DOES NOT INCLUDE PRODUCT LOSS OR CONSEQUENTIAL DAMAGES HOWEVER CAUSED.