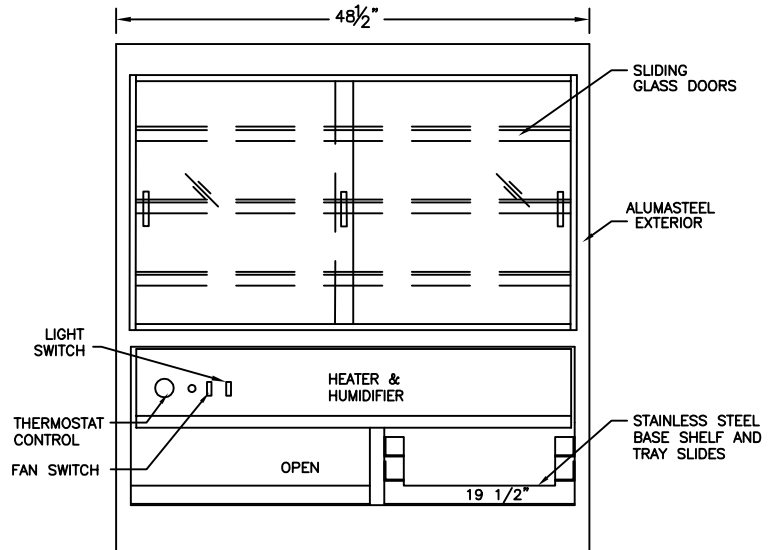
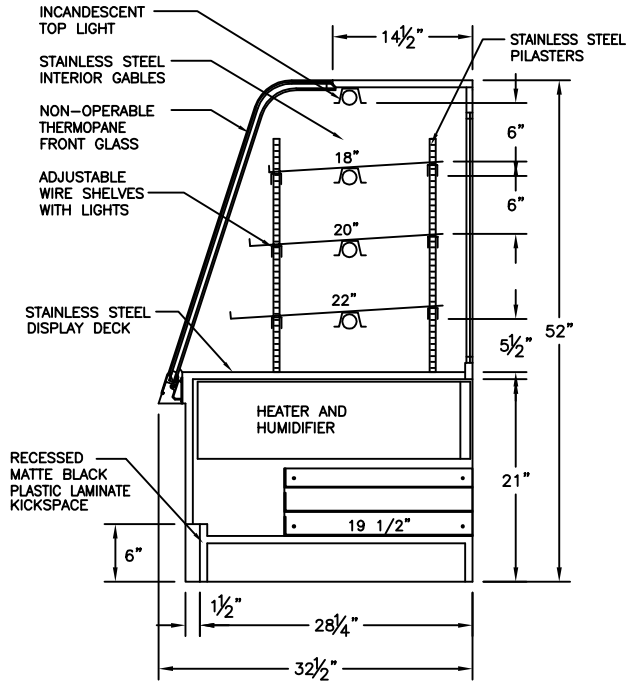


PROJECT:	QTY:	ITEM No.
----------	------	----------

# CTH4952SS

## CLASSIC III HEATED PIZZA DISPLAY CASE



NOTES:  
 GLOSS BLACK EXTRUSIONS AND WIRE SHELVES ARE ALSO AVAILABLE.  
 INTERIOR HUMIDITY VARIES WITH TEMPERATURE SETTING (MAX. 165°F/74°C).  
 DIRECT ELECTRICAL HOOK-UP REQUIRED (BY OTHERS).

\* PICTURE IS FOR REFERENCE ONLY



*Manufacturers of food service displays*

SPECIFICATIONS						
DIMENSIONS	CTH 4952	MODEL No.	MODEL No.	MODEL No.	MODEL No.	MODEL No.
Length (in)	48.50"	L	L	L	L	L
Depth (in)	32.50"	D	D	D	D	D
Height (in)	52"	H	H	H	H	H
ELECTRICAL						
Voltage	240	120	120	120	120	120
Amperes (Compressor and Light)	20	Amps.	Amps.	Amps.	Amps.	Amps.
Amperes (Elect. Cond. Pan needs separate circuit)	-	Amps.	Amps.	Amps.	Amps.	Amps.
Power Cord	DIRECT	8 ft.	8 ft.	8 ft.	8 ft.	8 ft.

**NOTES**

All Specifications subject to change without notice.

This Design Is the property of QBD Modular Systems Inc. No copies or reproductions are permitted without the written permission of QBD Modular Systems Inc.

\*\* All units are designed to operate under normal store conditions of 24°C (75°F) with 50% relative humidity.  
 \*\*Condensation on glass may occur in Hot/Humid conditions.QBD is not responsible for any consequential damages as a result.  
 \*\*QBD WARRANTY DOES NOT INCLUDE PRODUCT LOSS OR CONSEQUENTIAL DAMAGES HOWEVER CAUSED. Please review detailed warranty statement prior to purchase.

<b>QBD</b>	<b>QBD MODULAR SYSTEMS INC.</b> <small>31 BRAMSTEELE ROAD, BRAMPTON, ONTARIO, CANADA L6W 3K6</small>	1-800-663-3005 TEL: (905) 459-0709 FAX: (905) 459-1478 <a href="http://www.qbd.com">www.qbd.com</a>	DR. BY: <b>Hesam</b> DATE: <b>05/29/15</b> FILE: <b>CTH4952SS</b>