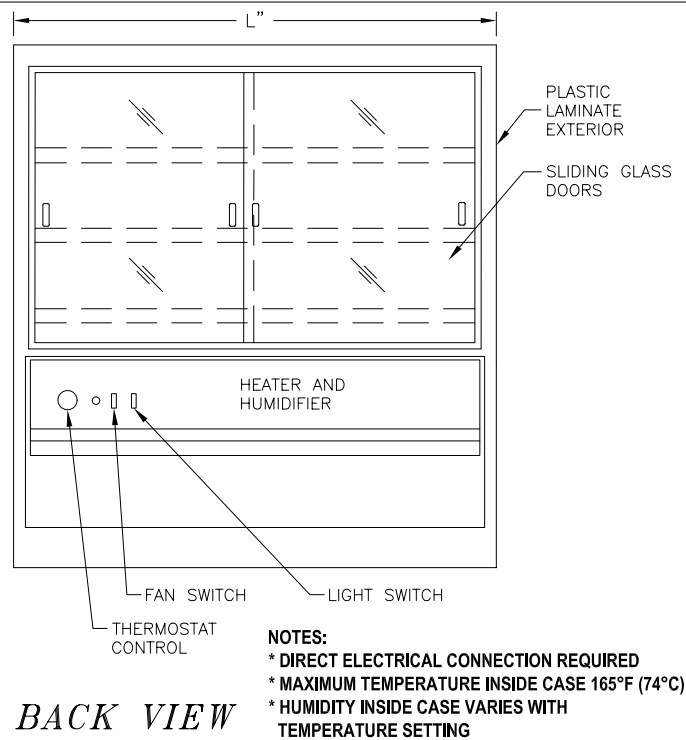
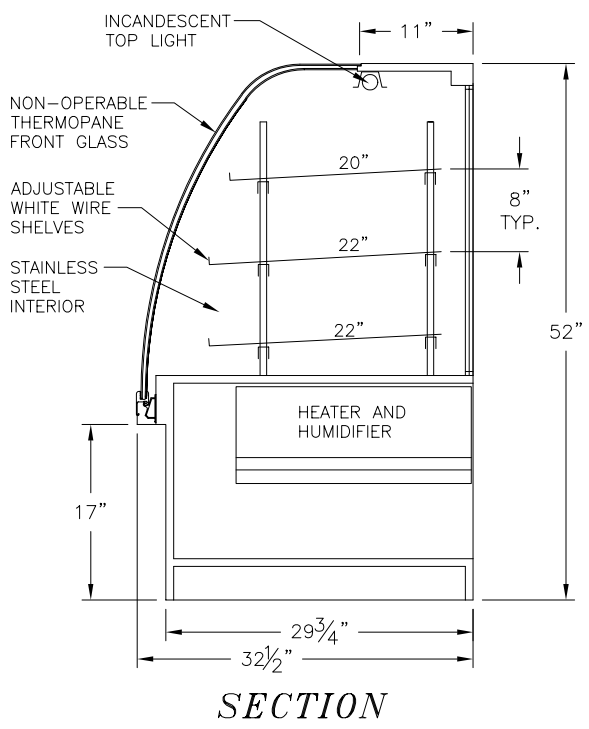


<b>PROJECT:</b>	<b>QTY:</b>	<b>ITEM No.</b>
-----------------	-------------	-----------------

# CVH-XX52

## CLASSIC V HEATED DISPLAY CASE



**NOTES:**  
 \* DIRECT ELECTRICAL CONNECTION REQUIRED  
 \* MAXIMUM TEMPERATURE INSIDE CASE 165°F (74°C)  
 \* HUMIDITY INSIDE CASE VARIES WITH TEMPERATURE SETTING



*Manufacturers of food service displays*

SPECIFICATIONS						
DIMENSIONS	CVH 2652	CVH 3852	CVH 5052	MODEL No.	MODEL No.	MODEL No.
Length (in)	25.25"	37.25"	49.25"	L	L	L
Depth (in)	32.5"	32.5"	32.5"	D	D	D
Height (in)	52"	52"	52"	H	H	H
ELECTRICAL						
Voltage	120/240	120/240	120/240	120	120	120
Amperes <small>(Heat Elements &amp; Light)</small>	9.6	19.6	19.6	-	-	-
Amperes <small>(Elect. Cond. Pan needs separate circuit)</small>	-	-	-	-	-	-
Power Cord	DIRECT	DIRECT	DIRECT	8 ft.	8 ft.	8 ft.

**NOTES**

**All Specifications subject to change without notice.**

**This Design is the property of QBD Modular Systems Inc. No copies or reproductions are permitted without the written permission of QBD Modular Systems Inc.**

\*\*\* All units are designed to operate under normal store conditions of 24°C (75°F) with 50% relative humidity.  
 \*\*\* Condensation on glass may occur in Hot/Humid conditions



**QBD MODULAR SYSTEMS INC.**  
 31 BRAMSTEELE ROAD, BRAMPTON, ONTARIO, CANADA L6W 3K6  
[WWW.QBD.COM](http://WWW.QBD.COM)

1-800-663-3005  
 TEL: (905) 459-0709  
 FAX: (905) 459-1478  
[info@qbd.com](mailto:info@qbd.com)

DR. BY: **Dave**  
 DATE: **11 /22 /10**  
 FILE: **CVHXX52**