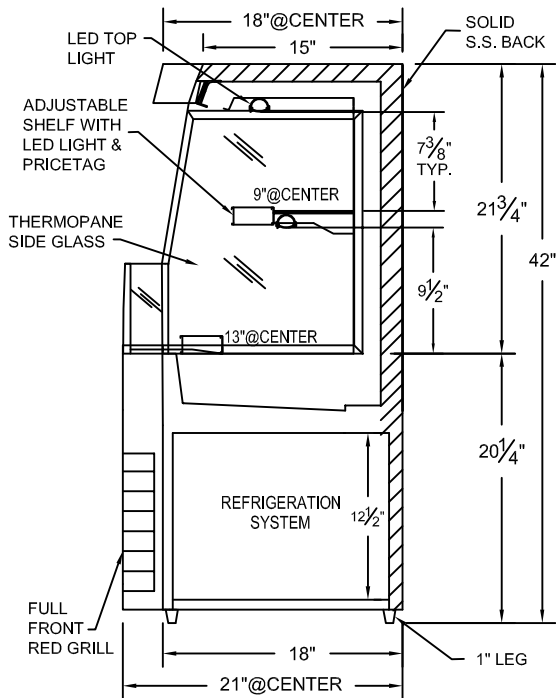


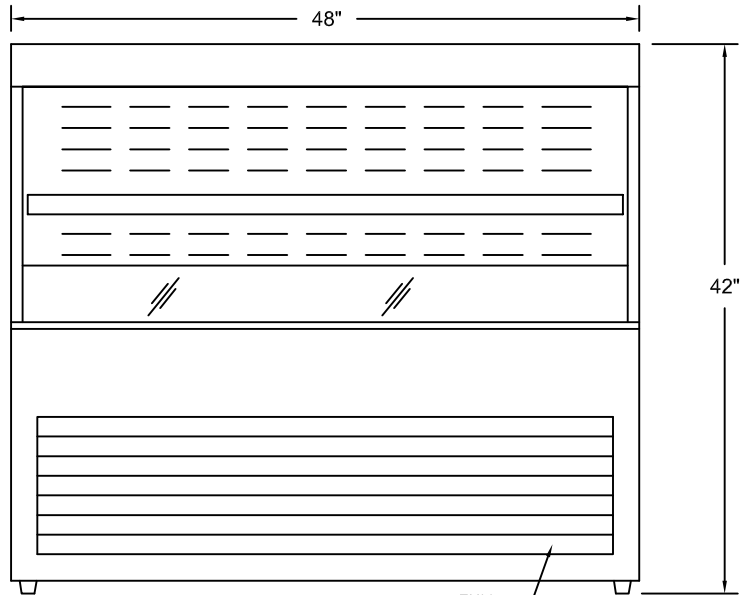
PROJECT:	QTY:	ITEM No.
-----------------	-------------	-----------------

CTR4842SS-CURVED

GRAB-N-GO REFRIGERATED DISPLAY CASE



SIDE VIEW



FRONT VIEW

*** ALL DIMENSIONS ARE ± 1/8"**

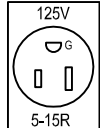
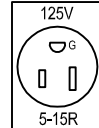
* PICTURE FOR REFERENCE ONLY



FULL FRONT RED GRILL INSTEAD OF LIGHTED SIGN

SPECIFICATIONS

DIMENSIONS	CTR4842SS-CURVED	MODEL No.	MODEL No.	MODEL No.	MODEL No.	MODEL No.
Length (in)	48"	L	L	L	L	L
Depth (in)	21"	D	D	D	D	D
Height (in)	42"	H	H	H	H	H
ELECTRICAL						
Voltage	120	120	120	120	120	120
Amperes <small>(Compressor and Light)</small>	10.5	Amps.	Amps.	Amps.	Amps.	Amps.
Amperes <small>(Elect. Cond. Pan needs separate circuit)</small>	8.4	Amps.	Amps.	Amps.	Amps.	Amps.
Power Cord	8 ft.	8 ft.	8 ft.	8 ft.	8 ft.	8 ft.

NEMA Receptacle Configurations	NOTES
TWO SEPARATE POWER SUPPLY REQUIRED <div style="display: flex; justify-content: space-around;"> <div style="text-align: center;"> <p>FOR ELECT. COND. PAN 125V</p>  <p>5-15R</p> </div> <div style="text-align: center;"> <p>FOR COMPRESSOR & LIGHTS 125V</p>  <p>5-15R</p> </div> </div>	<p>All Specifications subject to change without notice.</p> <p>This Design is the property of QBD Modular Systems Inc. No copies or reproductions are permitted without the written permission of QBD Modular Systems Inc.</p> <p>** All units are designed to operate under normal store conditions of 24°C(75°F) with 50% relative humidity, and maintain the temp. between 35°F to 40°F.</p> <p>**Condensation on glass may occur in Hot / Humid conditions. QBD is not responsible for any consequential damages as a result.</p> <p>**QBD WARRANTY DOES NOT INCLUDE PRODUCT LOSS OR CONSEQUENTIAL DAMAGES HOWEVER CAUSED. Please review detailed warranty statement prior to purchase.</p>



QBD MODULAR SYSTEMS INC. TEL: (905) 459-0709
 31 BRAMSTEELE ROAD, BRAMPTON, ONTARIO, CANADA L6W 3K6 FAX: (905) 459-1478
WWW.QBD.COM info@qbd.com

DR. BY: Hesam	
DATE: 03-30-16	
FILE: CTR4842SS-CURVED-NLS	

1-800-663-3005