

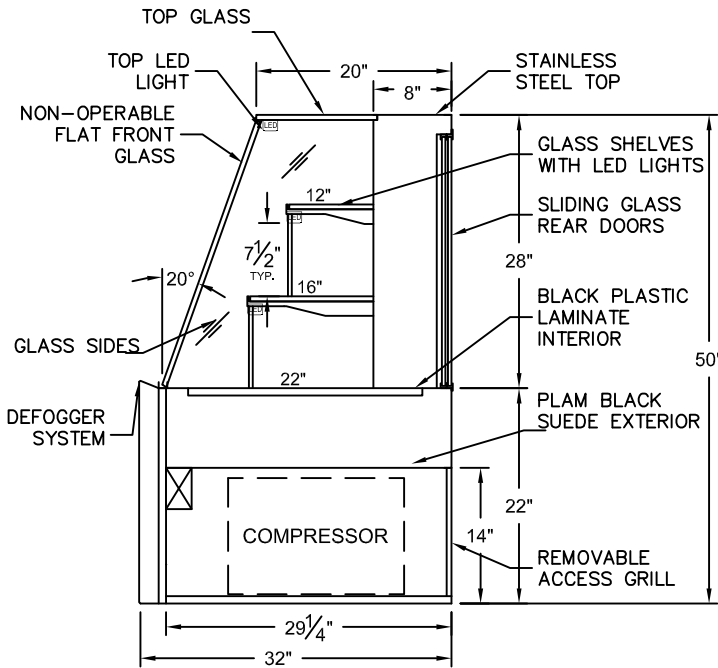
PROJECT:

QTY:

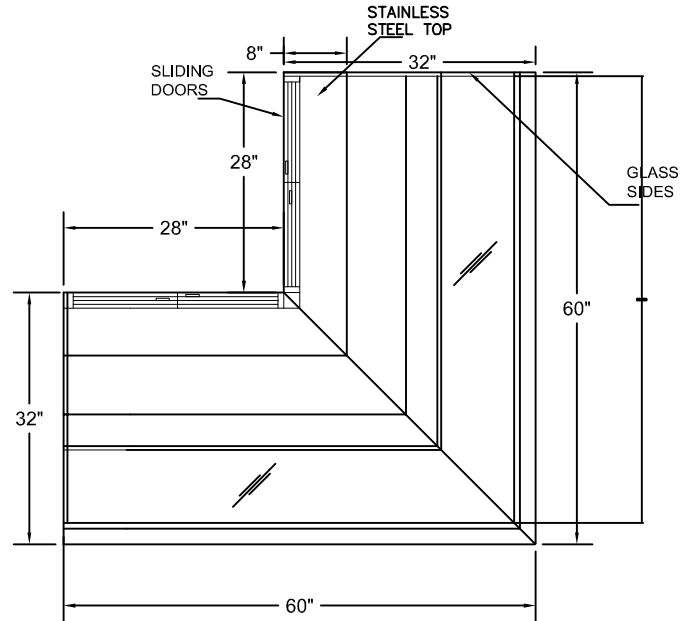
ITEM No. :

CTR6050SP

REFRIGERATED PASTRY DISPLAY CASE



SECTION



PLAN

*** ALL DIMENSIONS ARE ± 1/8"**



*PICTURE IS FOR REFERENCE ONLY

- NOTES:**
- *TWO SEPARATE COMPRESSORS REQUIRED (ONE FOR EACH REFRIGERATED SIDE)
 - * SELF-CONTAINED
 - * TWO SEPARATE POWER CORDS REQUIRED (ONE FOR EACH REFRIGERATED SIDE)
 - * GLASSES: ALL SINGLE PAN TEMPERED

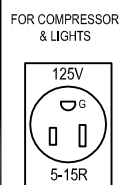
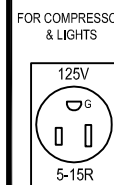
Manufacturers of food service displays

SPECIFICATIONS

DIMENSIONS	CTR6050SP	MODEL No.	MODEL No.	MODEL No.	MODEL No.
Length (in)	60"	L	L	L	L
Depth (in)	32"	D	D	D	D
Height (in)	50"	H	H	H	H
ELECTRICAL					
Voltage	120	120	120	120	120
Amperes (Compressor and Light)	9.9	9.9	-	-	-
Amperes (Elect. Cond. Pan needs separate circuit)	-	-	-	-	-
Power Cord	8 ft.	8 ft.	8 ft.	8 ft.	8 ft.

NEMA Receptacle Configurations

TWO SEPARATE CIRCUITS REQUIRED



NOTES

All Specifications subject to change without notice.

This Design is the property of QBD Modular Systems Inc. No copies or reproductions are permitted without the written permission of QBD Modular Systems Inc.

** All units are designed to operate under normal store conditions of 24°C(75°F) with 50% relative humidity, and maintain the temp. between 35°F to 40°F.

**Condensation on glass may occur in Hot / Humid conditions. QBD is not responsible for any consequential damages as a result.

**QBD WARRANTY DOES NOT INCLUDE PRODUCT LOSS OR CONSEQUENTIAL DAMAGES HOWEVER CAUSED. Please review detailed warranty statement prior to purchase.



QBD

MODULAR SYSTEMS INC.

31 BRAMSTEELE ROAD, BRAMPTON, ONTARIO, CANADA L6W 3K6

WWW.QBD.COM

1-800-663-3005

TEL: (905) 459-0709

FAX: (905) 459-1478

info@qbd.com

DR. BY: **Hesam**

DATE: **06-08-15**

FILE: **CTR6050SP**