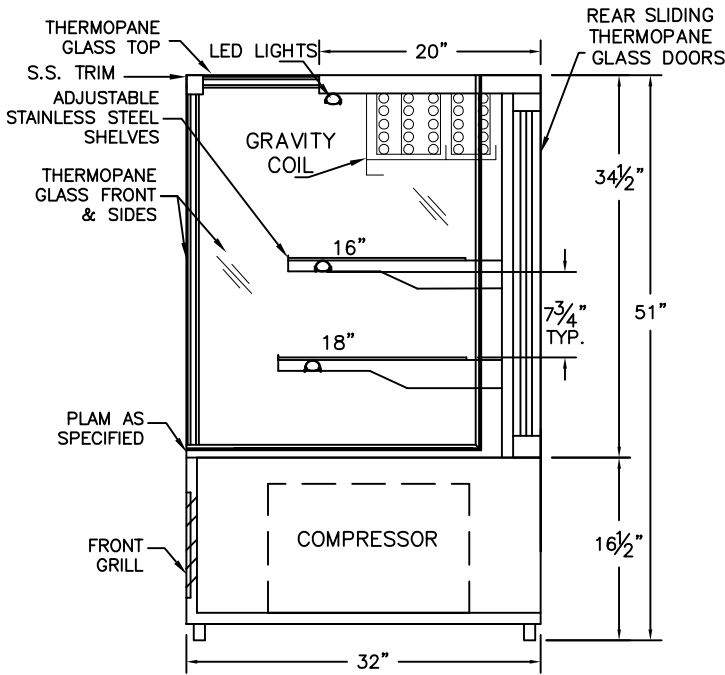


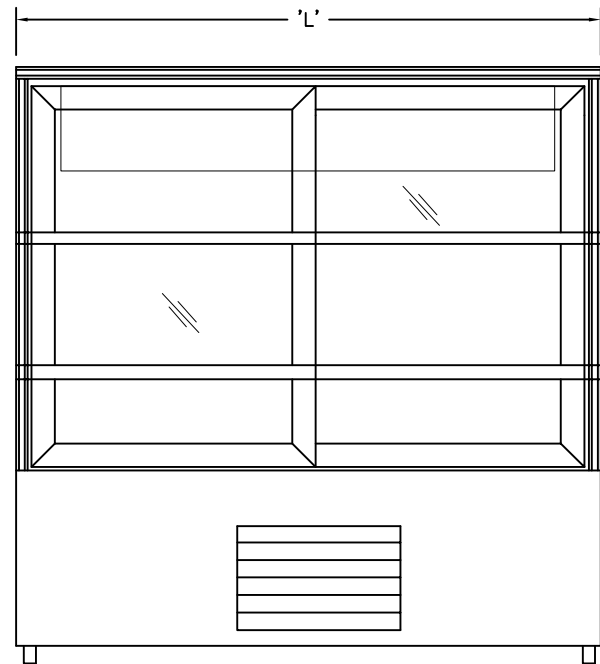
PROJECT:	QTY:	ITEM No.
----------	------	----------

# CTRXX51G

## FULL SERVE REFRIGERATED DISPLAY CASE



**SIDE VIEW**



**FRONT VIEW**

NOTE(S):  
20amp. CIRCUIT BREAKER IS REQUIRED FOR L=72\".

**\* ALL DIMENSIONS ARE ± 1/8\"**

\* PICTURE IS FOR REFERENCE ONLY



*Manufacturers of food service displays*

### SPECIFICATIONS

DIMENSIONS	CTR 3651	CTR 4851	CTR 6051	CTR 7251	MODEL No.	MODEL No.
Length (in)	36"	48"	60"	72"	L	L
Depth (in)	32"	32"	32"	32"	D	D
Height (in)	51"	51"	51"	51"	H	H
ELECTRICAL						
Voltage	120	120	120	120	120	120
Amperes (Compressor and Light)	10.6	10.6	10.6	12.5	-	-
Amperes (Elect. Cond. Pan needs separate circuit)	-	-	-	-	-	-
Power Cord	8 ft.	8 ft.	8 ft.	8 ft.	8 ft.	8 ft.

NEMA Receptacle Configurations		NOTES
FOR L=36", 48" & 60"	FOR L=72"	All Specifications subject to change without notice. This Design is the property of QBD Modular Systems Inc. No copies or reproductions are permitted without the written permission of QBD Modular Systems Inc. ** All units are designed to operate under normal store conditions of 24°F(75°F) with 50% relative humidity, and maintain the temp. between 35°F to 40°F. **Condensation on glass may occur in Hot / Humid conditions. QBD is not responsible for any consequential damages as a result. **QBD WARRANTY DOES NOT INCLUDE PRODUCT LOSS OR CONSEQUENTIAL DAMAGES HOWEVER CAUSED. Please review detailed warranty statement prior to purchase.
 5-15R	 5-20R	