

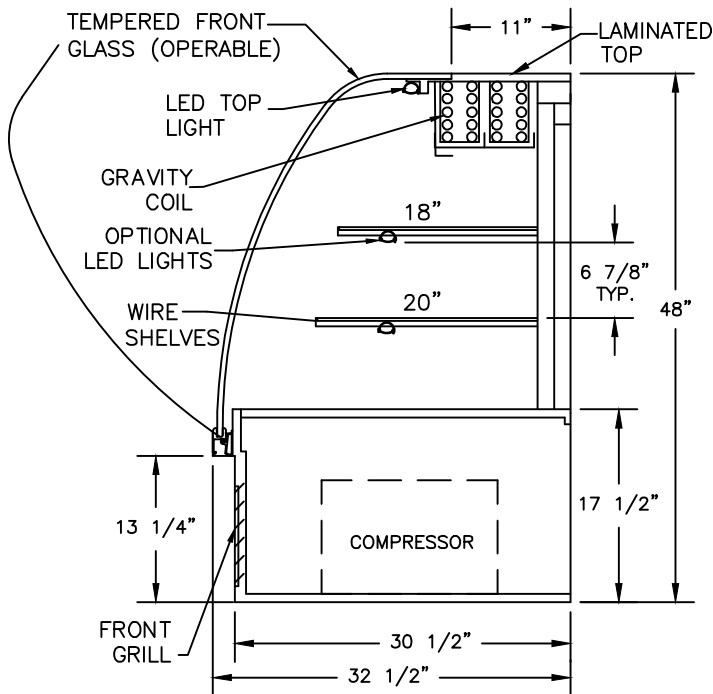
PROJECT:

QTY:

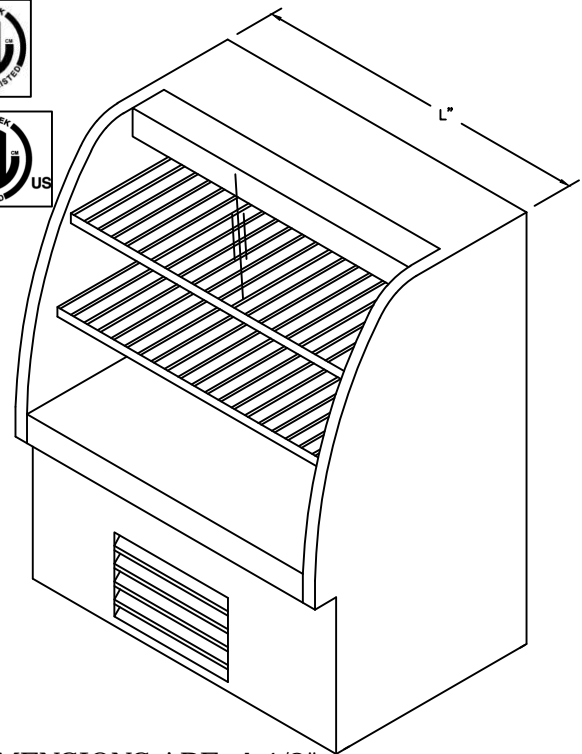
ITEM No.

CTR-CVR-XX48G

CLASSIC V REFRIGERATED DISPLAY CASE(GRAVITY COIL)



SIDE VIEW



* ALL DIMENSIONS ARE $\pm 1/8$ "



SPECIFICATIONS

DIMENSIONS	CVR-3648G	CVR-4848G	CVR-6048G	CVR-7248G	CVR-9448G	MODEL No.
Length (in)	36"	48"	60"	72"	94"	L
Depth (in)	32.50"	32.50"	32.50"	32.50"	32.50"	D
Height (in)	48"	48"	48"	48"	48"	H

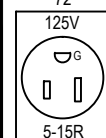
ELECTRICAL

Voltage	120	120	120	220	220	120
Amperes (Compressor and Light)	9.0	9.0	10.9	7.0	7.0	Amps.
Amperes (Elect. Cond. Pan needs separate circuit)	Amps.	Amps.	Amps.	Amps.	Amps.	Amps.
Power Cord	8 ft.	8 ft.	8 ft.	8 ft.	8 ft.	8 ft.

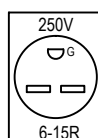
NEMA Receptacle Configurations

FOR COMPRESSOR & LIGHTS

FOR L=36", 48", 60" & 72"



FOR L=94"



NOTES

All Specifications subject to change without notice.

This Design is the property of QBD Modular Systems Inc. No copies or reproductions are permitted without the written permission of QBD Modular Systems Inc.

** All units are designed to operate under normal store conditions of 24°F(75°F) with 50% relative humidity, and maintain the temp. between 35°F to 40°F.

**Condensation on glass may occur in Hot / Humid conditions. QBD is not responsible for any consequential damages as a result.

**QBD WARRANTY DOES NOT INCLUDE PRODUCT LOSS OR CONSEQUENTIAL DAMAGES HOWEVER CAUSED. Please review detailed warranty statement prior to purchase.

Manufacturers of food service displays



QBD MODULAR SYSTEMS INC. TEL: (905) 459-0709

31 BRAMSTEELE ROAD, BRAMPTON, ONTARIO, CANADA L6W 3K6

WWW.QBD.COM

1-800-663-3005

FAX: (905) 459-1478

info@qbd.com

Dave

DATE: 02/08/11

FILE: CVRXX48G