

PROJECT:

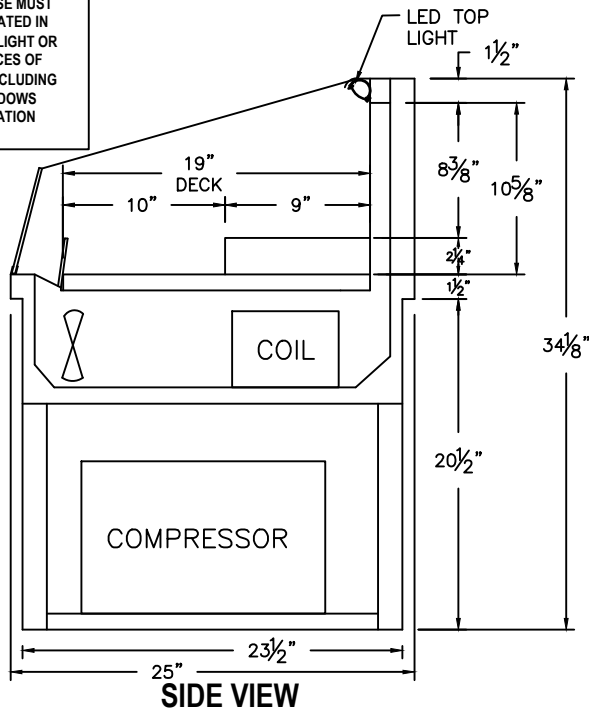
QTY:

ITEM No.

CTTUX34

COUNTERTOP SELF SERVE REF. DISPLAY

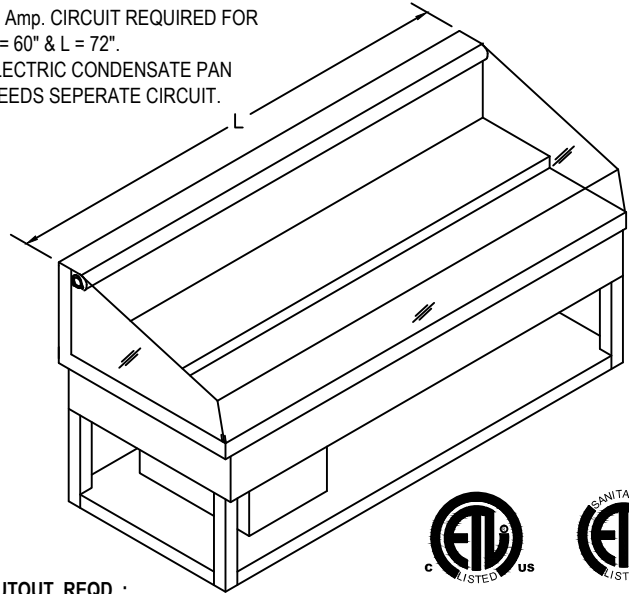
DISPLAY CASE MUST NOT BE LOCATED IN DIRECT SUNLIGHT OR NEAR SOURCES OF AIR FLOW INCLUDING DOORS, WINDOWS AND VENTILATION SYSTEMS.



* ALL DIMENSIONS ARE $\pm 1/8"$

NOTES :

- * INTERIOR STAINLESS STEEL.
- * 1/2" FRONT PLEXIGLASS.
- * SELF CONTAINED CONDENSER.
- * 20 Amp. CIRCUIT REQUIRED FOR L = 60" & L = 72".
- * ELECTRIC CONDENSATE PAN NEEDS SEPERATE CIRCUIT.



CUTOUT REQD. :

- 23.75" x 22.75" FOR 24" LENGTH.
- 23.75" x 34.75" FOR 36" LENGTH.
- 23.75" x 46.75" FOR 48" LENGTH.
- 23.75" x 58.75" FOR 60" LENGTH.
- 23.75" x 70.75" FOR 72" LENGTH.



Manufacturers of food service displays

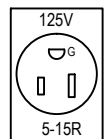
SPECIFICATIONS

DIMENSIONS	CTTU 2434	CTTU 3634	CTTU 4834	CTTU 6034	CTTU 7234	MODEL No.
Length (in)	24"	36"	48"	60"	72"	L
Depth (in)	25"	25"	25"	25"	25"	D
Height (in)	34.125"	34.125"	34.125"	34.125"	34.125"	H
ELECTRICAL						
Voltage	120	120	120	120	120	120
Amperes (Compressor and Light)	11	11	11	12.8	16.0	Amps.
Amperes (Elect. Cond. Pan needs separate circuit)	HOT GAS	8.4	8.4	8.4	8.4	Amps.
Power Cord	8 ft.	8 ft.	8 ft.	8 ft.	8 ft.	8 ft.

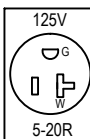
NEMA Receptacle Configurations

TWO SEPARATE POWER SUPPLY REQUIRED

FOR L=24, 36 & 48



FOR L= 60 & 72



NOTES

All Specifications subject to change without notice.

This Design is the property of QBD Modular Systems Inc. No copies or reproductions are permitted without the written permission of QBD Modular Systems Inc.

** All units are designed to operate under normal store conditions of 24°C(75°F) with 50% relative humidity, and maintain the temp. between 35°F to 40°F.

**Condensation on glass may occur in Hot / Humid conditions. QBD is not responsible for any consequential damages as a result.

**QBD WARRANTY DOES NOT INCLUDE PRODUCT LOSS OR CONSEQUENTIAL DAMAGES HOWEVER CAUSED. Please review detailed warranty statement prior to purchase.



QBD MODULAR SYSTEMS INC. TEL: (905) 459-0709
 31 BRAMSTEELE ROAD, BRAMPTON, ONTARIO, CANADA L6W 3K6 FAX: (905) 459-1478
WWW.QBD.COM info@qbd.com

1-800-663-3005

DR. BY: T. Y.

DATE: 05/26/14

FILE: CTTUX34