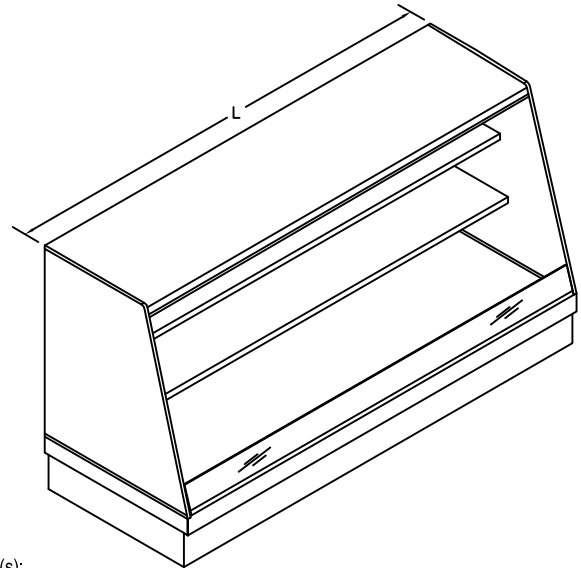
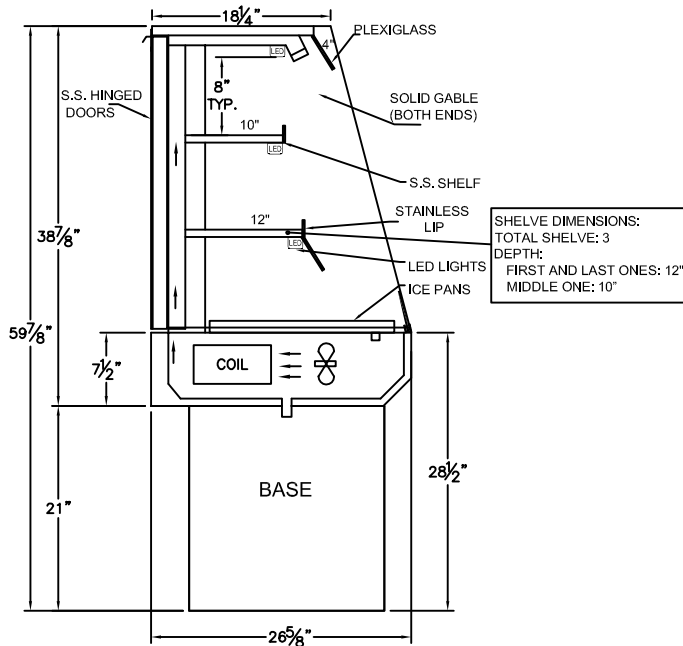


PROJECT:	QTY:	ITEM No.
----------	------	----------

# CTTU7239SSR

## SELF SERVE REFRIGERATED UNIT (REMOTE)



NOTE(s):  
 1. DISPLAY CASE MUST NOT BE LOCATED IN DIRECT SUNLIGHT OR NEAR SOURCES OF AIR FLOW INCLUDING DOORS, WINDOWS AND VENTILATION SYSTEMS.  
 2. DIRECT DRAIN REQUIRED

**\* ALL DIMENSIONS ARE ± 1/8"**

**\* PICTURE FOR REFERENCE ONLY.**



*Manufacturers of food service displays*

### SPECIFICATIONS

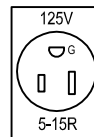
DIMENSIONS	CTTU 7239-SSR	MODEL No,	MODEL No,	MODEL No,	MODEL No,
Length (in)	72"	L	L	L	L
Depth (in)	26 5/8"	D	D	D	D
Height (in)	59 7/8"	H	H	H	H

#### ELECTRICAL

Voltage	120	120	120	120	120
Amperes (Fans and Lights)	2.6	Amps.	Amps.	Amps.	Amps.
Amperes (Elect. Cond. Pan needs separate circuit)	-	Amps.	Amps.	Amps.	Amps.
Power Cord	8 ft.	8 ft.	8 ft.	8 ft.	8 ft.

#### NEMA Receptacle Configurations

FOR FANS & LIGHTS



#### NOTES

All Specifications subject to change without notice.

This Design Is the property of QBD Modular Systems Inc. No copies or reproductions are permitted without the written permission of QBD Modular Systems Inc.

\*\* All units are designed to operate under normal store conditions of 24°F (75°F) with 50% relative humidity, and maintain the temp. between 35°F to 40°F.

\*\*Condensation on glass may occur in Hot / Humid conditions. QBD is not responsible for any consequential damages as a result.

\*\*QBD WARRANTY DOES NOT INCLUDE PRODUCT LOSS OR CONSEQUENTIAL DAMAGES HOWEVER CAUSED. Please review detailed warranty statement prior to purchase.



**QBD MODULAR SYSTEMS INC.**  
 31 BRAMSTEELE ROAD, BRAMPTON, ONTARIO, CANADA L6W 3K6  
 WWW.QBD.COM

1-800-663-3005  
 TEL: (905) 459-0709  
 FAX: (905) 459-1478  
 info@qbd.com

DR. BY:	<b>Hesam</b>
DATE:	<b>03/29/16</b>
FILE:	<b>CTTU7239SSR</b>