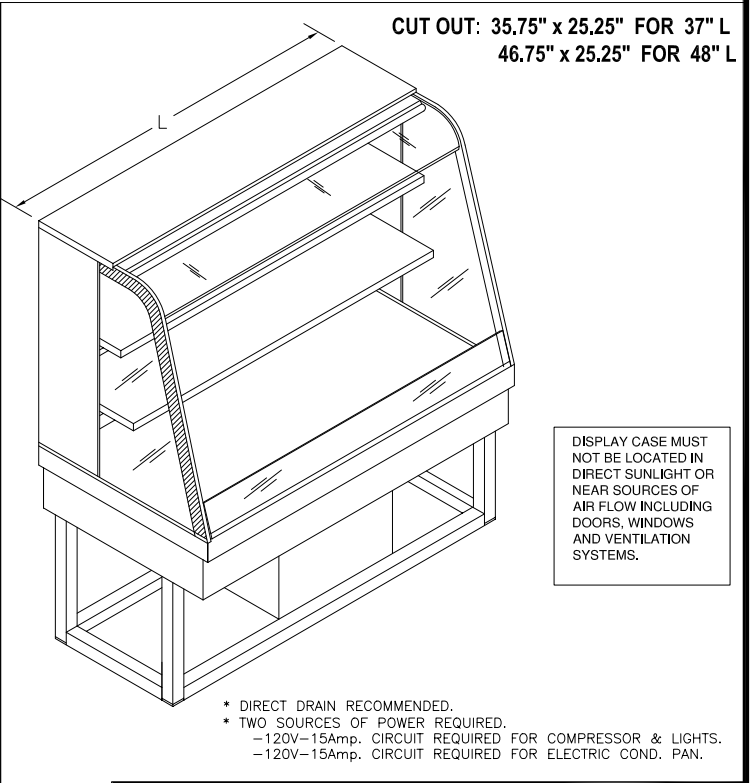
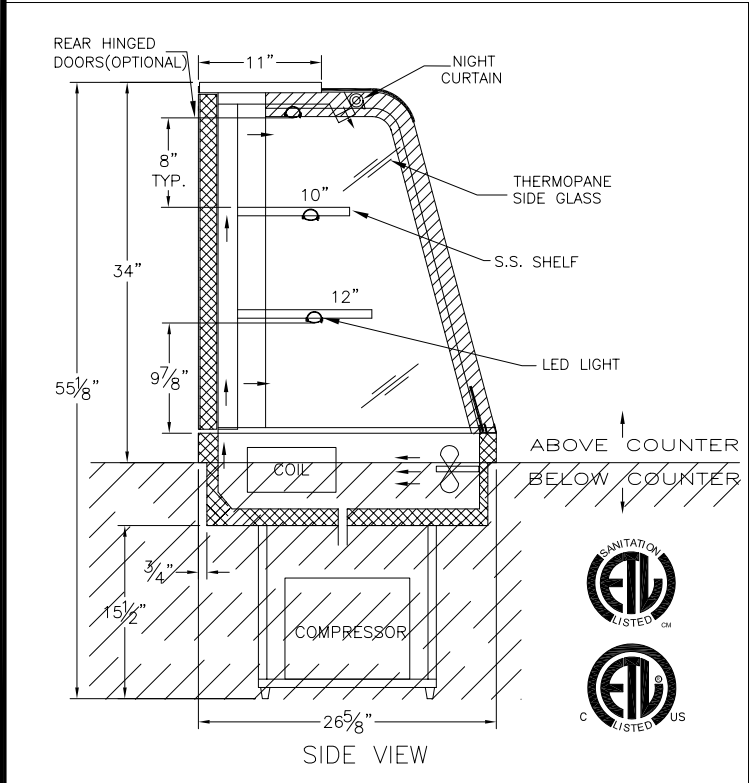


PROJECT:	QTY:	ITEM No.
----------	------	----------

CTTUHBXX-R

SELF SERVE REFRIGERATED COUNTERTOP UNIT



SPECIFICATIONS

DIMENSIONS	CTTUHB 37-R	CTTUHB 48-R	MODEL No,	MODEL No,	MODEL No,	MODEL No,
Length (in)	37"	48"	L	L	L	L
Depth (in)	26 5/8"	26 5/8"	D	D	D	D
Height (in)	55 1/8"	55 1/8"	H	H	H	H
ELECTRICAL						
Voltage	120	120	120	120	120	120
Amperes (Compressor and Light)	10.2	10.2	Amps.	Amps.	Amps.	Amps.
Amperes (Elect. Cond. Pan needs separate circuit)	8.4	8.4	Amps.	Amps.	Amps.	Amps.
Power Cord	8 ft.	8 ft.	8 ft.	8 ft.	8 ft.	8 ft.

NOTES

All Specifications subject to change without notice.

This Design is the property of QBD Modular Systems Inc. No copies or reproductions are permitted without the written permission of QBD Modular Systems Inc.

**** All units are designed to operate under normal store conditions of 24°C (75°F) with 50% relative humidity, and maintain the temperature between 35°F to 40°F.**

****Condensation on glass may occur in Hot/Humid conditions.QBD is not responsible for any consequential damages as a result.**

****QBD WARRANTY DOES NOT INCLUDE PRODUCT LOSS OR CONSEQUENTIAL DAMAGES HOWEVER CAUSED. Please review detailed warranty statement prior to purchase.**

	QBD MODULAR SYSTEMS INC.	DR. BY: Dave
	1-800-663-3005 TEL: (905) 459-0709 31 BRAMSTEELE ROAD, BRAMPTON, ONTARIO, CANADA L6W 3K6 FAX: (905) 459-1478 WWW.QBD.COM	DATE: 09 / 04 / 12
	info@qbd.com	FILE: CTTUHBXXR