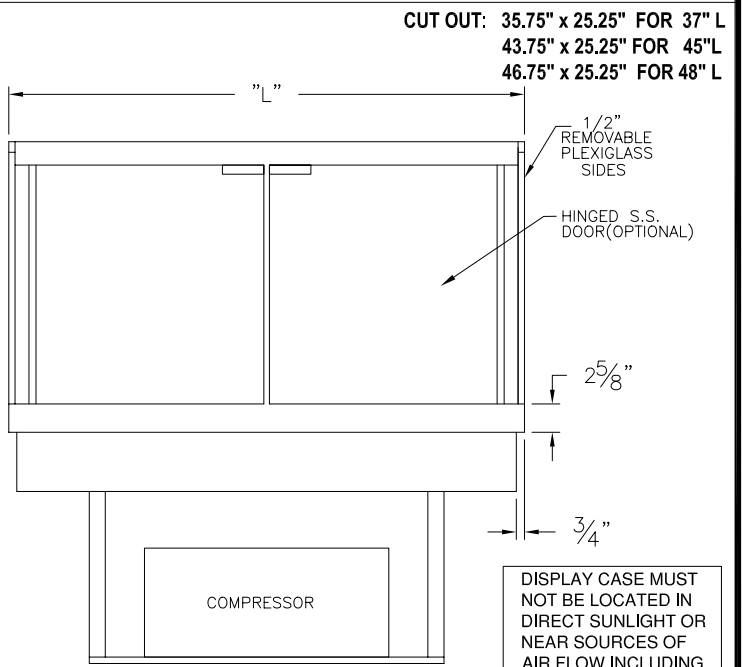
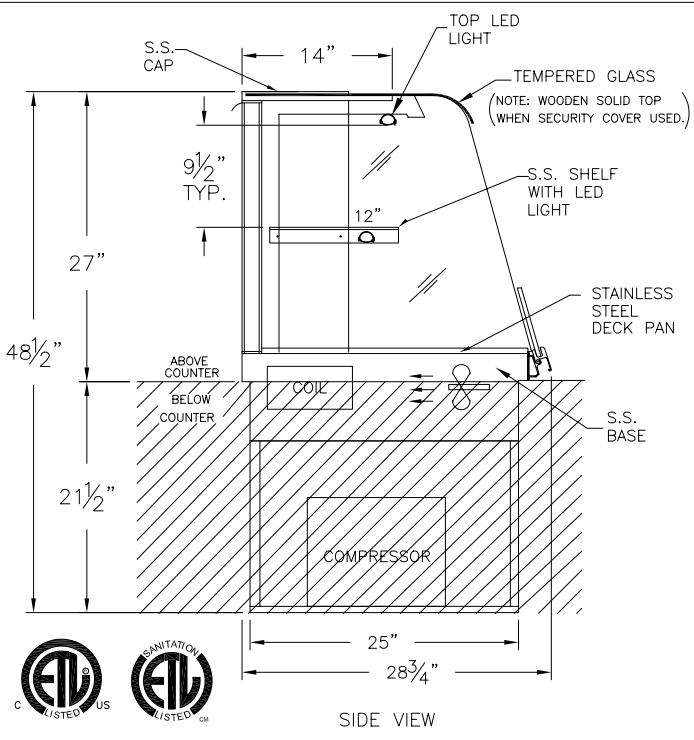


PROJECT:	QTY:	ITEM No.
----------	------	----------

# CTTULB-XXR

## SELF-SERVE REFRIGERATED COUNTERTOP UNIT



**CUT OUT:** 35.75" x 25.25" FOR 37" L  
 43.75" x 25.25" FOR 45" L  
 46.75" x 25.25" FOR 48" L

**NOTES:**

- \* DIRECT DRAIN RECOMMENDED.
- \* TWO SOURCES OF POWER REQUIRED.
- 120/1/15Amp. FOR COMPRESSOR & LIGHTS.
- 120/1/15Amp. FOR ELECTRIC COND. PAN

DISPLAY CASE MUST NOT BE LOCATED IN DIRECT SUNLIGHT OR NEAR SOURCES OF AIR FLOW INCLUDING DOORS, WINDOWS AND VENTILATION SYSTEMS.



### SPECIFICATIONS

DIMENSIONS	CTTU LB37R	CTTU LB45R	CTTU LB48R	MODEL No.	MODEL No.	MODEL No.
Length (in)	37"	45"	48"	L	L	L
Depth (in)	28.75"	28.75"	28.75"	D	D	D
Height (in)	48.50"	48.50"	48.50"	H	H	H
ELECTRICAL						
Voltage	120	120	120	120	120	120
Amperes (Compressor and Light)	10.2	10.2	10.2	Amps.	Amps.	Amps.
Amperes (Elect. Cond. Pan needs separate circuit)	8.4	8.4	8.4	Amps.	Amps.	Amps.
Power Cord	8 ft.	8 ft.	8 ft.	8 ft.	8 ft.	8 ft.

### NOTES

All Specifications subject to change without notice.

This Design is the property of QBD Modular Systems Inc. No copies or reproductions are permitted without the written permission of QBD Modular Systems Inc.

\*\* All units are designed to operate under normal store conditions of 24°C (75°F) with 50% relative humidity, and maintain the temperature between 35°F to 40°F.

\*\*Condensation on glass may occur in Hot/Humid conditions.QBD Is not responsible for any consequential damages as a result.

\*\*QBD WARRANTY DOES NOT INCLUDE PRODUCT LOSS OR CONSEQUENTIAL DAMAGES HOWEVER CAUSED. Please review detailed warranty statement prior to purchase.



*Manufacturers of food service displays*



**QBD MODULAR SYSTEMS INC.** TEL: (905) 459-0709  
 31 BRAMSTEELE ROAD, BRAMPTON, ONTARIO, CANADA L6W 3K6 FAX: (905) 459-1478  
[WWW.QBD.COM](http://WWW.QBD.COM) info@qbd.com

1-800-663-3005

DR. BY:	<b>Dave</b>
DATE:	<b>09/ 04/ 12</b>
FILE:	<b>CTTULBXXR</b>