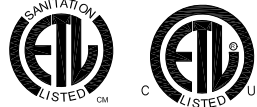
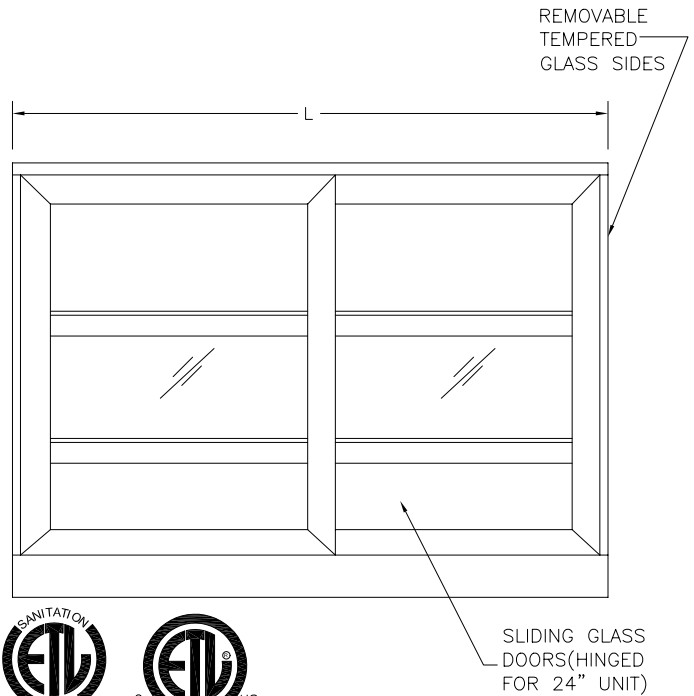
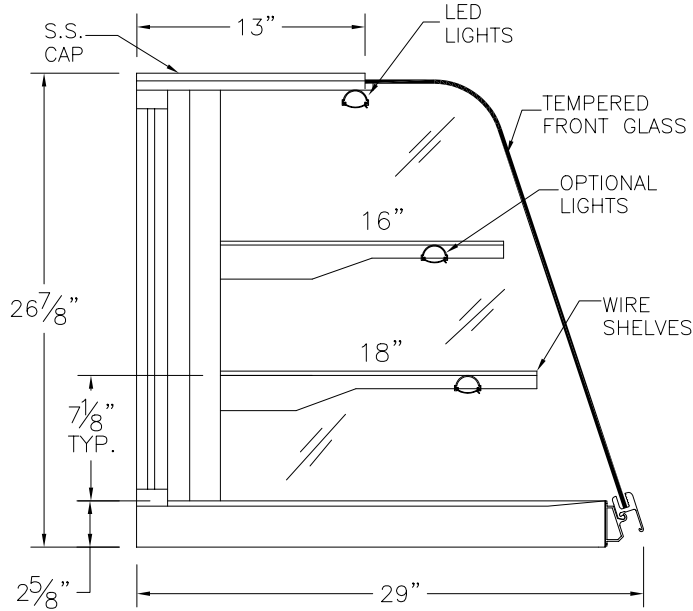


PROJECT:	QTY:	ITEM No.
----------	------	----------

CTTU-D-XX27

COUNTERTOP NON-REFRIGERATED FULL SERVE DISPLAY CASE



Manufacturers of food service displays

SPECIFICATIONS

DIMENSIONS	CTTU-D 2427	CTTU-D 3727	CTTU-D 4527	CTTU-D 4827	MODEL No.	MODEL No.
Length (in)	24"	37"	45"	48"	L	L
Depth (in)	29"	29"	29"	29"	D	D
Height (in)	26.875"	26.875"	26.875"	26.875"	H	H
ELECTRICAL						
Voltage	120	120	120	120	120	120
Amperes (Compressor and Light)	1.2	1.2	1.2	1.2	Amps.	Amps.
Amperes (Elect. Cond. Pan needs separate circuit)	-	-	-	-	Amps.	Amps.
Power Cord	8 ft.	8 ft.	8 ft.	8 ft.	8 ft.	8 ft.

NOTES

- All Specifications subject to change without notice.
- This Design is the property of QBD Modular Systems Inc. No copies or reproductions are permitted without the written permission of QBD Modular Systems Inc.
- ** All units are designed to operate under normal store conditions of 24°C (75°F) with 50% relative humidity.
- **Condensation on glass may occur in Hot/Humid conditions.QBD is not responsible for any consequential damages as a result.
- **QBD WARRANTY DOES NOT INCLUDE PRODUCT LOSS OR CONSEQUENTIAL DAMAGES HOWEVER CAUSED.



QBD

MODULAR SYSTEMS INC.

31 BRAMSTEELE ROAD, BRAMPTON, ONTARIO, CANADA L6W 3K6

WWW.QBD.COM

1-800-663-3005

TEL: (905) 459-0709

FAX: (905) 459-1478

info@qbd.com

DR. BY: **Dave**

DATE: **06 / 21 / 10**

FILE: **CTTU-D-XX27**