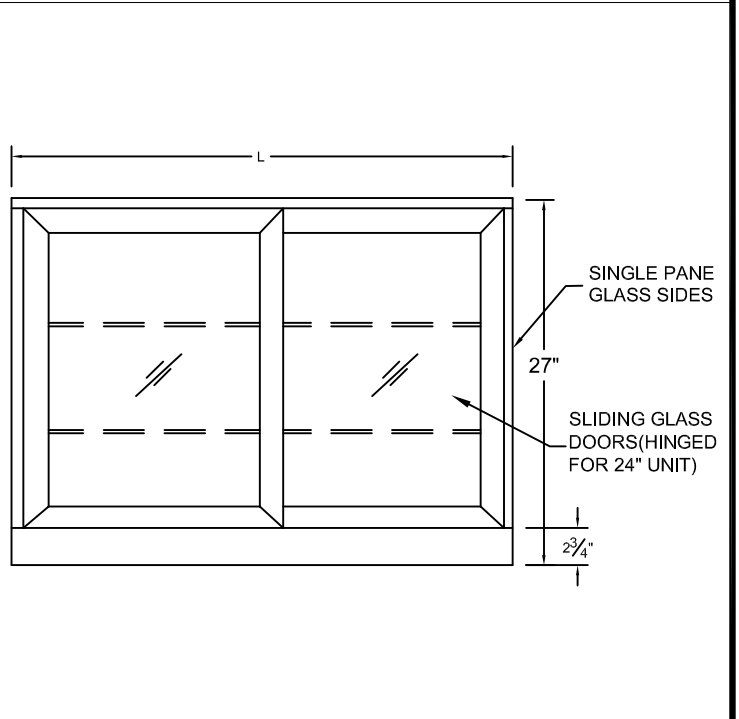
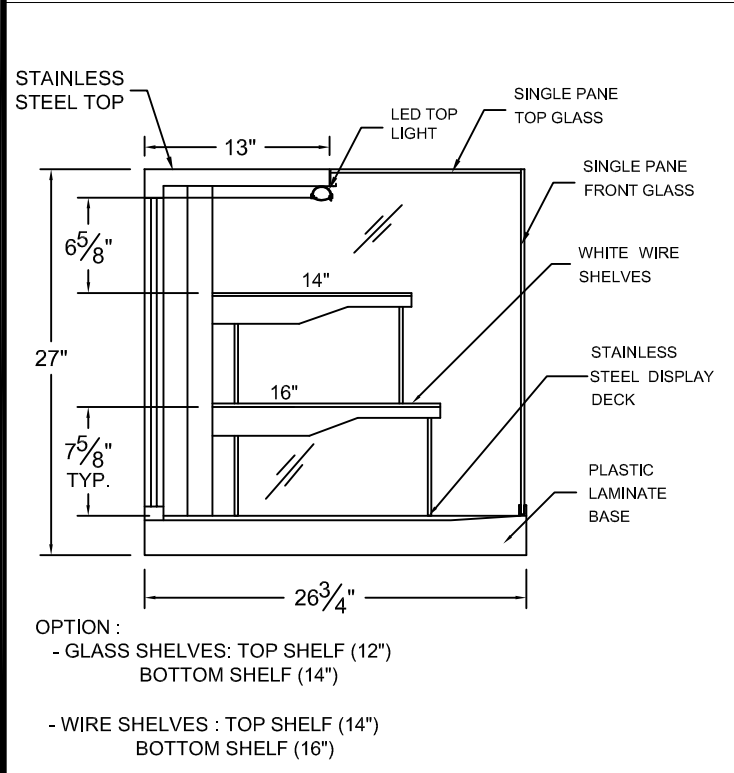


PROJECT:	QTY:	ITEM No.
-----------------	-------------	-----------------

CTTU-D-XX27ST-DRY

FULL SERVE COUNTERTOP DISPLAY CASE - DRY



*** ALL DIMENSIONS ARE ±1/8".**

*** PICTURE FOR REFERENCE ONLY**



Manufacturers of food service displays

SPECIFICATIONS						
DIMENSIONS	CTTU-D 2427	CTTU-D 3727	CTTU-D 4527	CTTU-D 4827	CTTU-D 6027	MODEL No.
Length (in)	24"	37"	45"	48"	60"	L
Depth (in)	26.75"	26.75"	26.75"	26.75"	26.75"	D
Height (in)	27"	27"	27"	27"	27"	H
ELECTRICAL						
Voltage	120	120	120	120	120	120
Amperes	2.2	2.2	2.2	2.2	2.2	Amps.
Amperes <small>(Elect. Cond. Pan needs separate circuit)</small>	-	-	-	-	-	Amps.
Power Cord	8 ft.	8 ft.	8 ft.	8 ft.	8 ft.	8 ft.
NEMA Receptacle Configurations	NOTES					
FOR COMPRESSOR & LIGHTS	All Specifications subject to change without notice.					
	This Design Is the property of QBD Modular Systems Inc.No copies or reproductions are permitted without the written permission of QBD Modular Systems Inc. ** All units are designed to operate under normal store conditions of 24°F(75°F) with 50% relative humidity, and maintain the temp. between 35°F to 40°F. **Condensation on glass may occur in Hot / Humid conditions.QBD is not responsible for any consequential damages as a result. **QBD WARRANTY DOES NOT INCLUDE PRODUCT LOSS OR CONSEQUENTIAL DAMAGES HOWEVER CAUSED. Please review detailed warranty statement prior to purchase.					