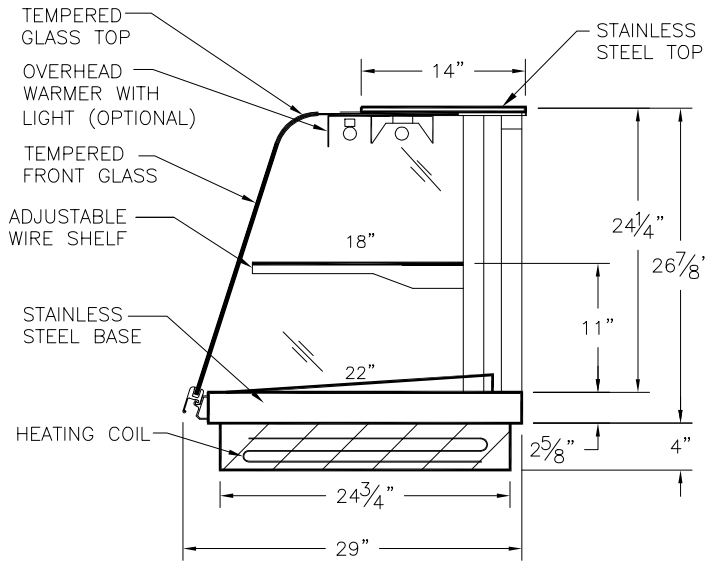


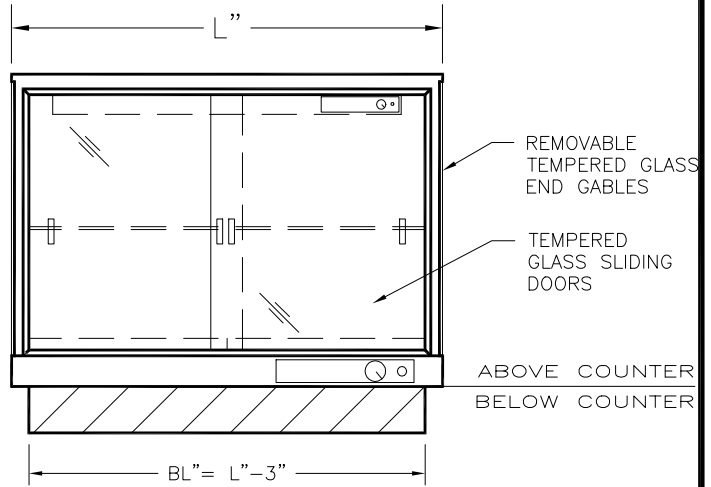
<b>PROJECT:</b>	<b>QTY:</b>	<b>ITEM No.</b>
-----------------	-------------	-----------------

# CTTU-H-XX27

## FULL SERVE COUNTERTOP HEATED DISPLAY CASE



SIDE VIEW



**CUT OUT:** 25.00" x 21.25" FOR 24" L. ; 25.00" x 57.25" FOR 60" L.  
 25.00" x 34.25" FOR 37" L.  
 25.00" x 45.25" FOR 48" L.

\* DIRECT HOOK UP OF ELECTRICALS REQUIRED BY OTHERS.



Manufacturers of food service displays

### SPECIFICATIONS

DIMENSIONS	CTTUH 2427	CTTUH 3727	CTTUH 4827	CTTUH 6027	MODEL No.	MODEL No.
Length (in)	24"	37"	48"	60"	L	L
Depth (in)	29"	29"	29"	29"	D	D
Height (in)	30.875"	30.875"	30.875"	30.875"	H	H
<b>ELECTRICAL</b>						
Voltage	240	240	240	240	120	120
Amperes (Compressor and Light)	11	11	11	11	Amps.	Amps.
Amperes (Elect. Cond. Pan needs separate circuit)	Amps.	Amps.	Amps.	Amps.	Amps.	Amps.
Power Cord	DIRECT	DIRECT	DIRECT	DIRECT	8 ft.	8 ft.

### NOTES

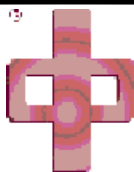
All Specifications subject to change without notice.

This Design is the property of QBD Modular Systems Inc. No copies or reproductions are permitted without the written permission of QBD Modular Systems Inc.

\*\* All units are designed to operate under normal store conditions of 24°C (75°F) with 50% relative humidity.

\*\*Condensation on glass may occur in Hot/Humid conditions.QBD is not responsible for any consequential damages as a result.

\*\*QBD WARRANTY DOES NOT INCLUDE PRODUCT LOSS OR CONSEQUENTIAL DAMAGES HOWEVER CAUSED.



**QBD**

**MODULAR SYSTEMS INC.**

31 BRAMSTEELE ROAD, BRAMPTON, ONTARIO, CANADA L6W 3K6

[WWW.QBD.COM](http://WWW.QBD.COM)

1-800-663-3005

TEL: (905) 459-0709

FAX: (905) 459-1478

[info@qbd.com](mailto:info@qbd.com)

DR. BY: **Dave**

DATE: **01/27/14**

FILE: **CTTU-H-XX27**