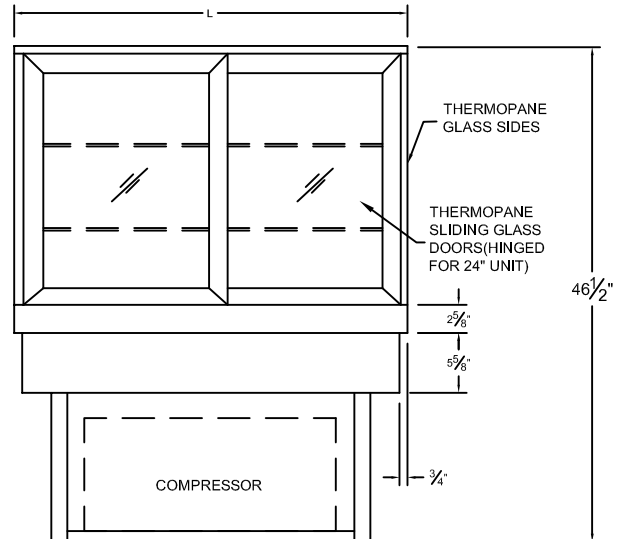
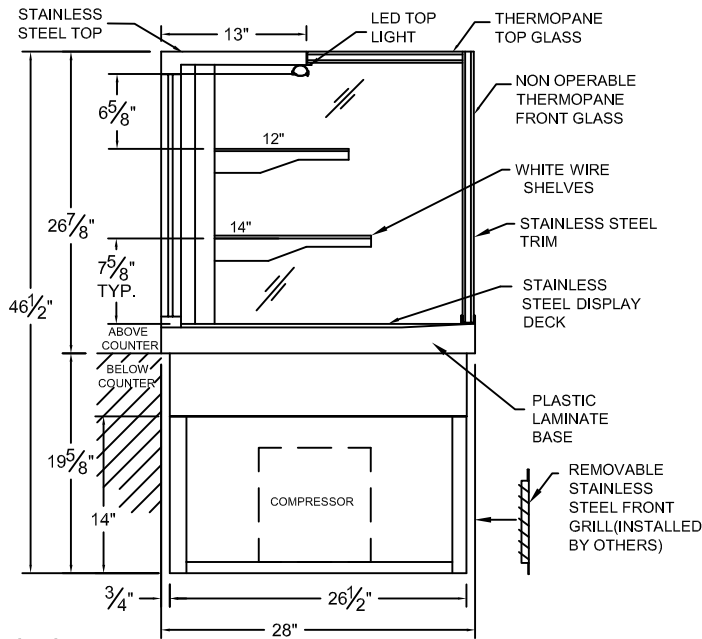


PROJECT:	QTY:	ITEM No.
-----------------	-------------	-----------------

CTTU-R-XX47ST

FULL SERVE COUNTERTOP REFRIGERATED DISPLAY CASE

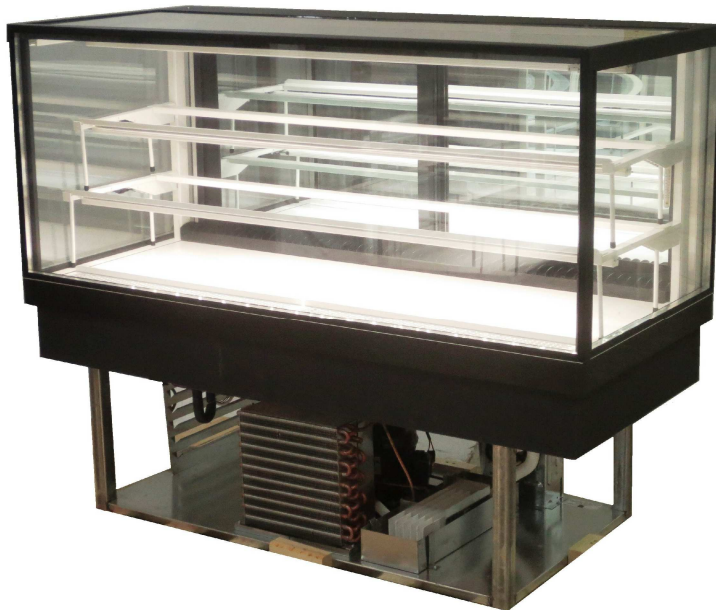


*** CUT OUT REQUIRED IN COUNTERTOP:**
 * 22.75" x 26.75" FOR 24" L ; * 35.75" x 26.75" FOR 37" L
 * 43.75" x 26.75" FOR 45" L ; * 46.75" x 26.75" FOR 48" L
 * 58.75" x 26.75" FOR 60" L
*** CUT OUT ALSO REQUIRED FOR REMOVABLE FRONT GRILL**

*** ALL DIMENSIONS ARE ±1/8".**

OPTION:
 GLASS SHELVES: TOP SHELF -12"
 BOTTOM SHELF -14"
 WIRE SHELVES: TOP SHELF -14"
 BOTTOM SHELF -16"

*** PICTURE FOR REFERENCE ONLY**



Manufacturers of food service displays

SPECIFICATIONS						
DIMENSIONS	CTTU-R-2447	CTTU-R-3747	CTTU-R-4547	CTTU-R-4847	CTTU-R-6047	MODEL No.
Length (in)	24"	37"	45"	48"	60"	L
Depth (in)	28"	28"	28"	28"	28"	D
Height (in)	46.50"	46.50"	46.50"	46.50"	46.50"	H
ELECTRICAL						
Voltage	120	120	120	120	120	120
Amperes (Compressor and Light)	7.1	7.1	9.2	9.2	10.6	Amps.
Amperes (Elect. Cond. Pan needs separate circuit)	-	-	-	-	-	Amps.
Power Cord	8 ft.	8 ft.	8 ft.	8 ft.	8 ft.	8 ft.
NEMA Receptacle Configurations	NOTES					
FOR COMPRESSOR & LIGHTS	All Specifications subject to change without notice.					
	This Design is the property of QBD Modular Systems Inc. No copies or reproductions are permitted without the written permission of QBD Modular Systems Inc. ** All units are designed to operate under normal store conditions of 24°F(75°F) with 50% relative humidity, and maintain the temp. between 35°F to 40°F. **Condensation on glass may occur in Hot / Humid conditions. QBD is not responsible for any consequential damages as a result. **QBD WARRANTY DOES NOT INCLUDE PRODUCT LOSS OR CONSEQUENTIAL DAMAGES HOWEVER CAUSED. Please review detailed warranty statement prior to purchase.					



QBD MODULAR SYSTEMS INC. TEL: (905) 459-0709
 31 BRAMSTEELE ROAD, BRAMPTON, ONTARIO, CANADA L6W 3K6 FAX: (905) 459-1478
WWW.QBD.COM info@qbd.com

1-800-663-3005

DR. BY **Hesam**

DATE: **05 / 24 / 16**

FILE: **CTTU-R-XX47STH**