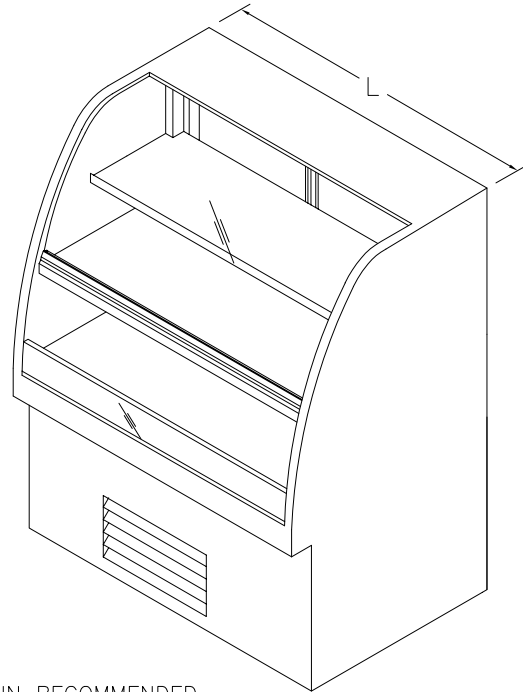
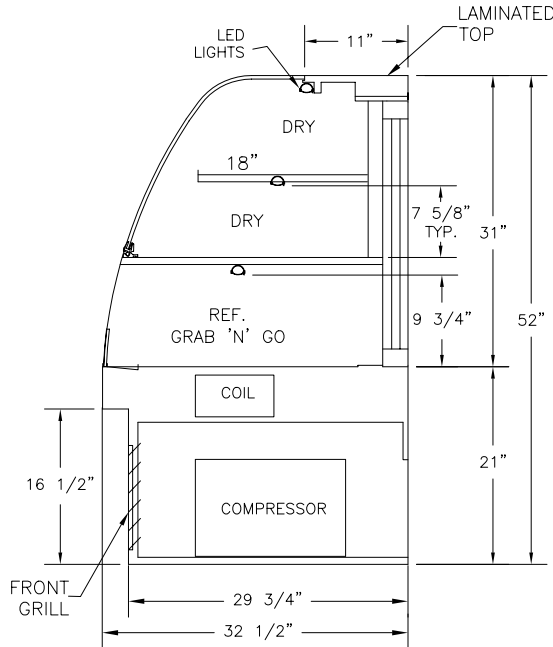


PROJECT:	QTY:	ITEM No.
----------	------	----------

# CVCXX52

## CLASSIC V COMBINATION CASE (REF.GRAB 'N' GO / DRY FULL SERVE)



DRAIN RECOMMENDED

**\* ALL DIMENSIONS ARE ± 1/8"**



*Manufacturers of food service displays*

### SPECIFICATIONS

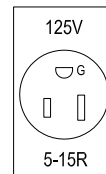
DIMENSIONS	CVC 3652	CVC 4852	MODEL No.	MODEL No.	MODEL No.	MODEL No.
Length (in)	36"	48"	L	L	L	L
Depth (in)	32.5"	32.5"	D	D	D	D
Height (in)	52"	52"	H	H	H	H

### ELECTRICAL

Voltage	120	120	120	120	120	120
Amperes (Compressor and Light)	9.5	9.5	-	-	-	-
Amperes (Elect. Cond. Pan needs separate circuit)	-	-	-	-	-	-
Power Cord	8 ft.	8 ft.	8 ft.	8 ft.	8 ft.	8 ft.

### NEMA Receptacle Configurations

FOR  
COMPRESSOR &  
LIGHTS



### NOTES

All Specifications subject to change without notice.

This Design Is the property of QBD Modular Systems Inc.No copies or reproductions are permitted without the written permission of QBD Modular Systems Inc.

\*\* All units are designed to operate under normal store conditions of 24°F(75°F) with 50% relative humidity, and maintain the temp. between 35°F to 40°F.

\*\*Condensation on glass may occur in Hot / Humid conditions.QBD is not responsible for any consequential damages as a result.

\*\*QBD WARRANTY DOES NOT INCLUDE PRODUCT LOSS OR CONSEQUENTIAL DAMAGES HOWEVER CAUSED. Please review detailed warranty statement prior to purchase.



**QBD**

**MODULAR SYSTEMS INC.**

31 BRAMSTEELE ROAD, BRAMPTON, ONTARIO, CANADA L6W 3K6

[WWW.QBD.COM](http://WWW.QBD.COM)

1-800-663-3005

TEL: (905) 459-0709

FAX: (905) 459-1478

[info@qbd.com](mailto:info@qbd.com)

DR. BY: **Dave**

DATE: **06 /25 /13**

FILE: **CVCXX52**