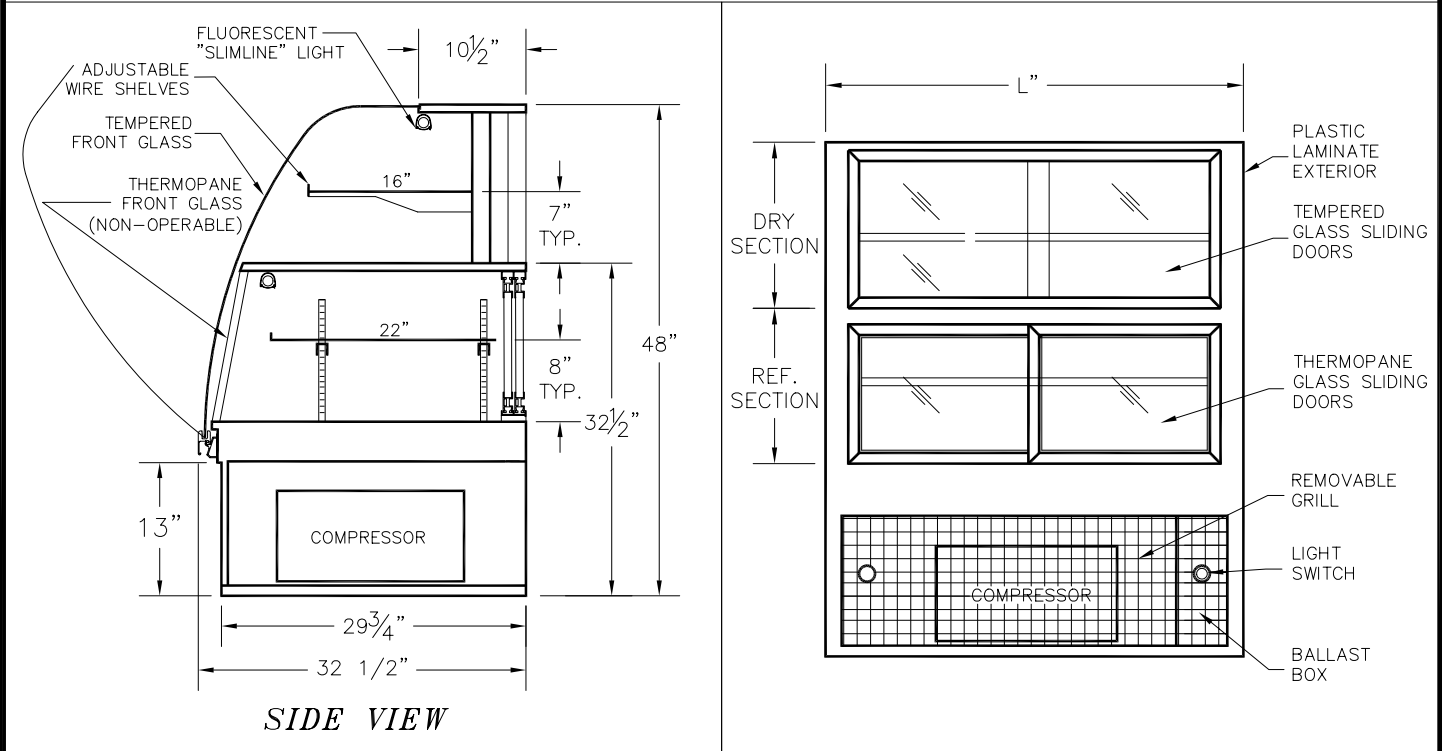


PROJECT:	QTY:	ITEM No.
----------	------	----------

# CVCXX48-R-HC

## FULL SERVE COMBINATION DISPLAY CASE



SPECIFICATIONS						
DIMENSIONS	CVC 3648 R-HC	CVC 4848 R-HC	CVC 6048 R-HC	CVC 7248 R-HC	MODEL No.	MODEL No.
Length (in)	36"	48"	60"	72"	L	L
Depth (in)	32.50"	32.50"	32.50"	32.50"	D	D
Height (in)	48"	48"	48"	48"	H	H
ELECTRICAL						
Voltage	120	120	120	120	120	120
Amperes (Compressor and Light)	9.9	9.9	10.2	10.2	Amps.	Amps.
Amperes (Elect. Cond. Pan needs separate circuit)	Amps.	Amps.	Amps.	Amps.	Amps.	Amps.
Power Cord	8 ft.	8 ft.	8 ft.	8 ft.	8 ft.	8 ft.

**NOTES**

All Specifications subject to change without notice.

This Design is the property of QBD Modular Systems Inc. No copies or reproductions are permitted without the written permission of QBD Modular Systems Inc.

**\*\* All units are designed to operate under normal store conditions of 24°C (75°F) with 50% relative humidity.**

**\*\*Condensation on glass may occur in Hot/Humid conditions.QBD is not responsible for any consequential damages as a result.**

**\*\*QBD WARRANTY DOES NOT INCLUDE PRODUCT LOSS OR CONSEQUENTIAL DAMAGES HOWEVER CAUSED.**

*Manufacturers of food service displays*

	<b>QBD MODULAR SYSTEMS INC.</b> <small>31 BRAMSTEELE ROAD, BRAMPTON, ONTARIO, CANADA L6W 3K6</small>	<b>1-800-663-3005</b> TEL: (905) 459-0709 FAX: (905) 459-1478 <a href="mailto:info@qbd.com">info@qbd.com</a>	DR. BY: <b>Dave</b> DATE: <b>03/ 20/ 06</b> FILE: <b>CVCXX48-R-HC</b>
	<a href="http://WWW.QBD.COM">WWW.QBD.COM</a>		