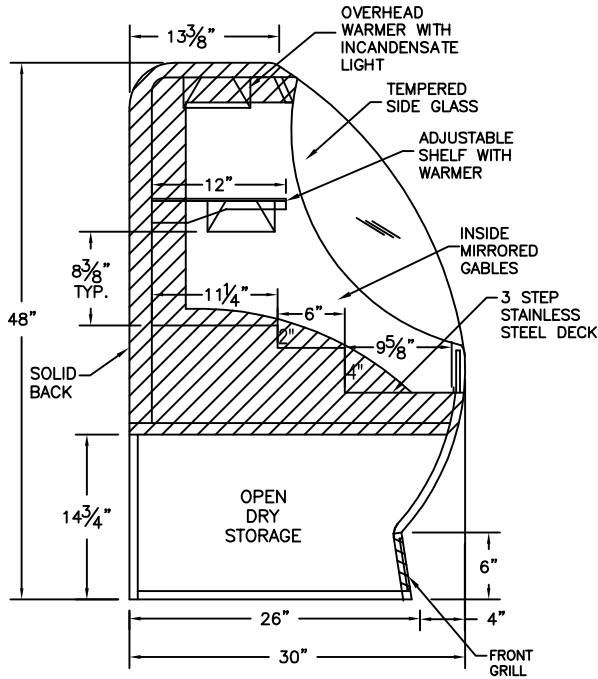


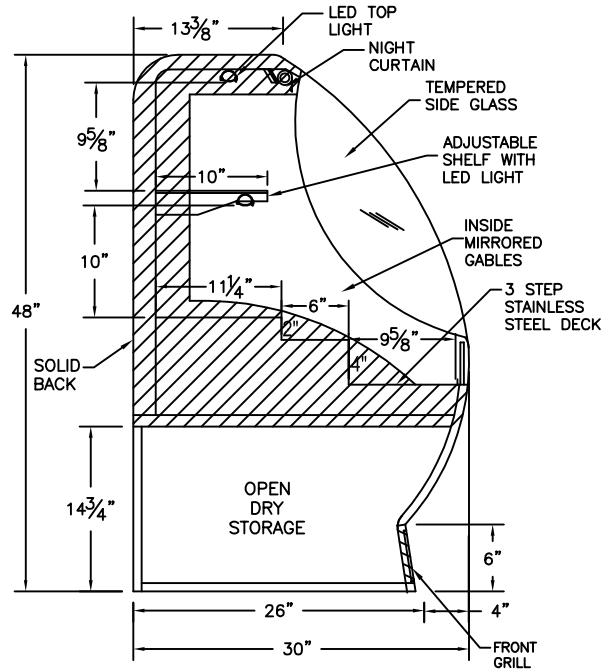
HEATED L=24"

AMBIENT L=24"

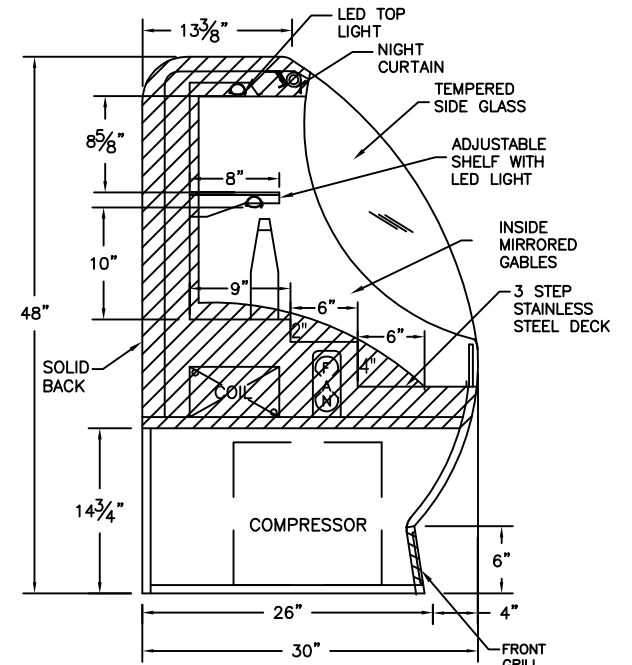
REFRIGERATED L=48"



SIDE VIEW



SIDE VIEW

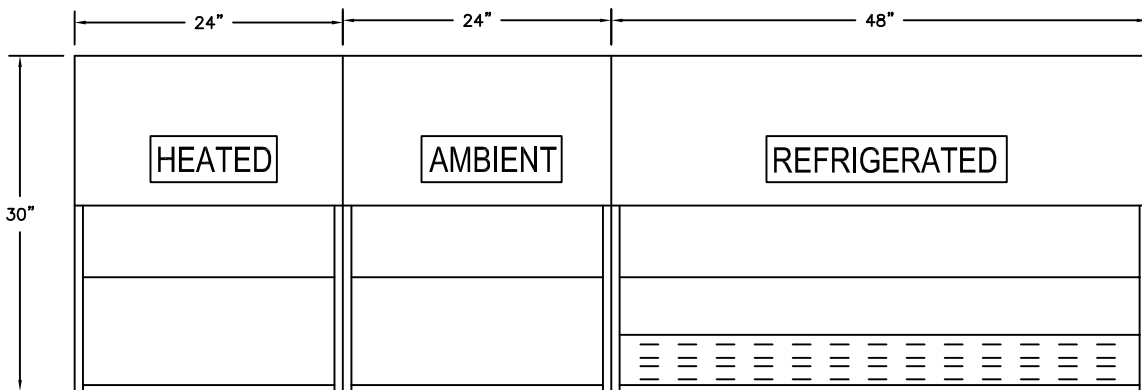


SIDE VIEW

* PICTURE FOR REFERENCE ONLY



*** ALL DIMENSIONS ARE ± 1/8"**



PLAN

CUSTOMER SIDE

TEMPERED SIDE GLASS

UNLESS OTHERWISE SPECIFIED
ALL DIMENSIONS ARE IN INCHES
TOLERANCES:
X/X ± 1/64
XX ± .01
XXX ± .005

DRW. BY: DAVE APP-ID:
DATE: 04/24/14 SHEET SIZE: C
CHK. BY: SCALE: NTS
CUSTOMER: TDL

QBD Modular Systems Inc.
31 BRAMSTEELE ROAD
BRAMPTON, ONTARIO, CANADA L6W 3K6
Tel. (905) 459-0709 Fax. (905) 459-1478

DESCRIPTION
GRAB 'N' GO DISPLAY CASE

DWG. NO#

PROJECT:

FILE NO: CVR4848-HAR REV: N SHEET 1 OF 1

REV.	DISCRIPTION	DATE	BY