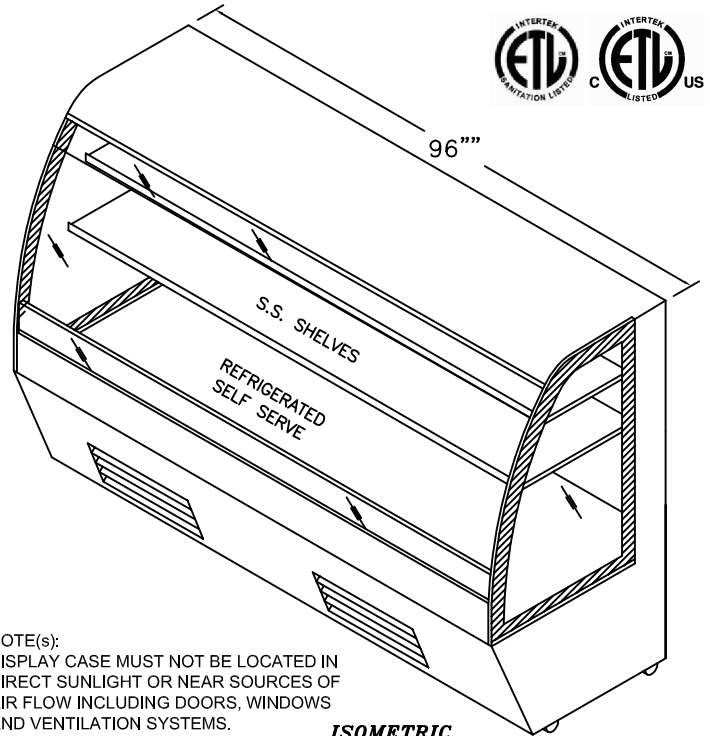
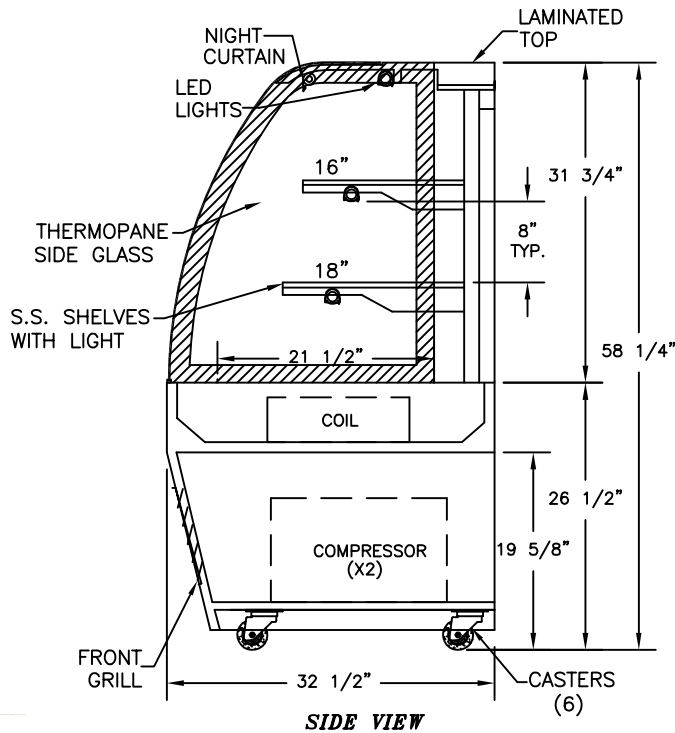


| | | |
|-----------------|-------------|-----------------|
| PROJECT: | QTY: | ITEM No. |
|-----------------|-------------|-----------------|

CTR-CVR9658RSS-NS-208

CLASSIC V SELF SERVE REFRIGERATED DISPLAY CASE

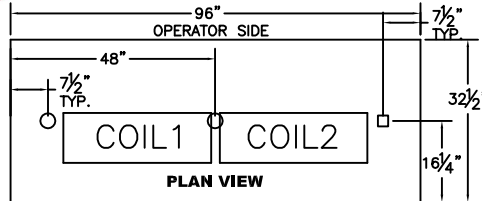


NOTE(s):
 DISPLAY CASE MUST NOT BE LOCATED IN DIRECT SUNLIGHT OR NEAR SOURCES OF AIR FLOW INCLUDING DOORS, WINDOWS AND VENTILATION SYSTEMS.

ISOMETRIC

*** ALL DIMENSIONS ARE ± 1/8"**

* PICTURE FOR REFERENCE ONLY



* TWO SOURCES OF POWER REQUIRED.
 - 208/1/60 30Amp. FOR COMPRESSORS & LIGHTS.
 - 120/1/60 15 Amp. FOR ELECTRIC CONDENSATE PAN.

Manufacturers of food service displays

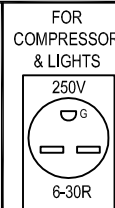
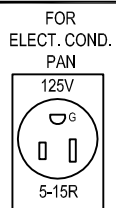
SPECIFICATIONS

| DIMENSIONS | CTR-CVR 9658RSS | MODEL No. | MODEL No. | MODEL No. |
|---------------------------------------|--------------------|--------------|--------------|--------------|
| Length (in) | 96" | L | L | L |
| Depth (in) | 32.5" | D | D | D |
| Height (in) | 58.25" | H | H | H |
| ELECTRICAL | | | | |
| Voltage | 208 | 120 | 120 | 120 |
| Amperes (Each Compressor & Lights) | 8.8 | - | - | - |
| Amperes (Elect. Cond. Pan) | - | 10 | - | - |
| Power Cord | 8 ft. | 8 ft. | 8 ft. | 8 ft. |

NEMA Receptacle Configurations

NOTES

TWO SEPARATE POWER SUPPLY REQUIRED



All Specifications subject to change without notice.

This Design is the property of QBD Modular Systems Inc. No copies or reproductions are permitted without the written permission of QBD Modular Systems Inc.

** All units are designed to operate under normal store conditions of 24°C (75°F) with 50% relative humidity, and maintain the temp. between 35°F to 40°F.

** Condensation on glass may occur in Hot / Humid conditions. QBD is not responsible for any consequential damages as a result.

** QBD WARRANTY DOES NOT INCLUDE PRODUCT LOSS OR CONSEQUENTIAL DAMAGES HOWEVER CAUSED. Please review detailed warranty statement prior to purchase.



QBD MODULAR SYSTEMS INC. TEL: (905) 459-0709
 31 BRAMSTEELE ROAD, BRAMPTON, ONTARIO, CANADA L6W 3K6 FAX: (905) 459-1478
WWW.QBD.COM info@qbd.com

1-800-663-3005

DR. BY: **Hesam**

DATE: **04 / 06 / 16**

FILE: **CTR-CVR9658RSS-NS-208**