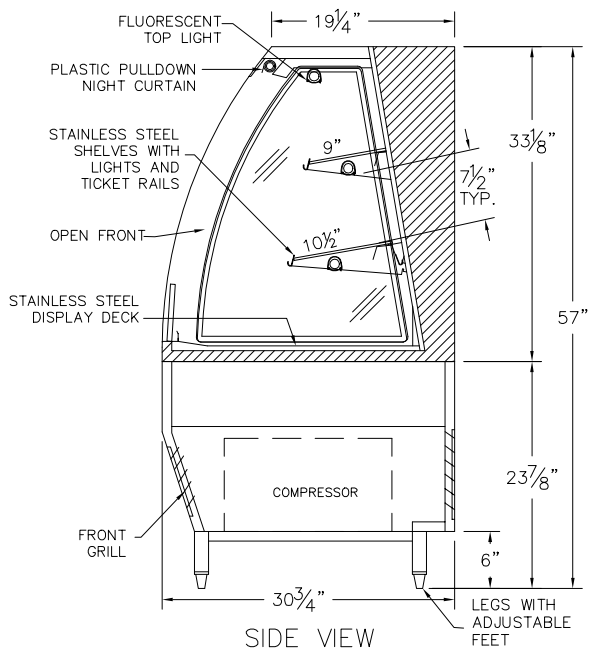


<b>PROJECT:</b>	<b>QTY:</b>	<b>ITEM No.</b>
-----------------	-------------	-----------------

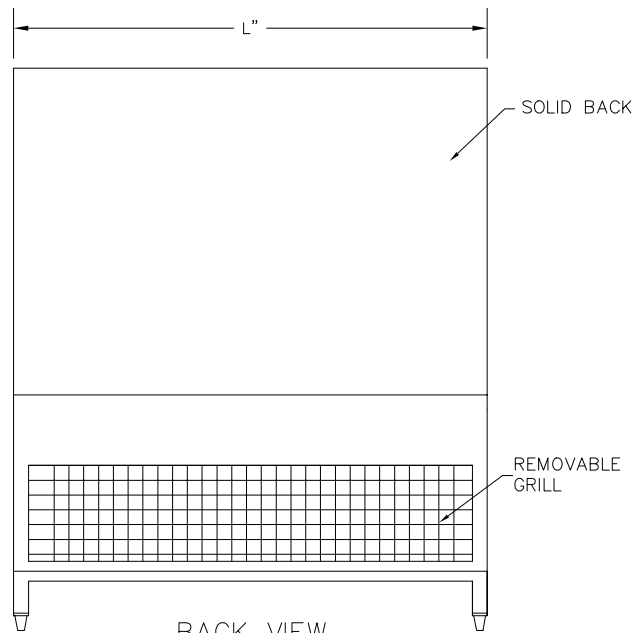
# ECRXX57SS

## ECLIPSE SELF-SERVE REFRIGERATED DISPLAY CASE



SIDE VIEW

**\* ALL DIMENSIONS ARE ± 1/8"**



BACK VIEW

NOTE :

- \* DIRECT DRAIN RECOMMENDED.
- \* TWO SOURCES OF POWER REQUIRED.
  - 120/1/15 Amps. FOR COMPRESSOR & LIGHTS.
  - 120/1/15 Amps. FOR ELECT. COND. PAN.

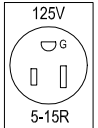
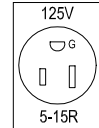


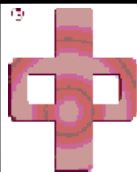
*Manufacturers of food service displays*

### SPECIFICATIONS

DIMENSIONS	ECR 3257SS	ECR 4857SS	MODEL No.	MODEL No.	MODEL No.	MODEL No.
Length (in)	31.75"	47.75"	L	L	L	L
Depth (in)	30.75"	30.75"	D	D	D	D
Height (in)	57"	57"	H	H	H	H

ELECTRICAL						
Voltage	120	120	120	120	120	120
Amperes (Compressor and Light)	9.5	11.3	Amps.	Amps.	Amps.	Amps.
Amperes (Elect. Cond. Pan needs separate circuit)	8.4	8.4	Amps.	Amps.	Amps.	Amps.
Power Cord	8 ft.	8 ft.	8 ft.	8 ft.	8 ft.	8 ft.

NEMA Receptacle Configurations	NOTES
<b>TWO SEPARATE POWER SUPPLY REQUIRED</b>  FOR ELECT. COND. PAN  125V 5-15R	All Specifications subject to change without notice.  This Design is the property of QBD Modular Systems Inc.No copies or reproductions are permitted without the written permission of QBD Modular Systems Inc.
	FOR COMPRESSOR & LIGHTS  125V 5-15R



**QBD**

**QBD MODULAR SYSTEMS INC.** TEL: (905) 459-0709  
 31 BRAMSTEELE ROAD, BRAMPTON, ONTARIO, CANADA L6W 3K6 FAX: (905) 459-1478  
[WWW.QBD.COM](http://WWW.QBD.COM) info@qbd.com

**1-800-663-3005**  
 info@qbd.com

DR. BY:	<b>Dave</b>
DATE:	12/ 11/ 13
FILE:	<b>ECRXX57SS-ST</b>