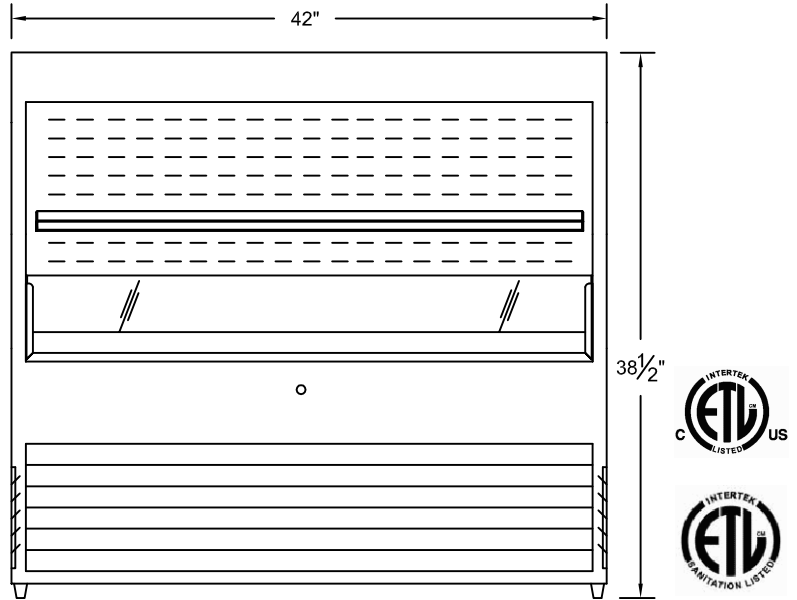
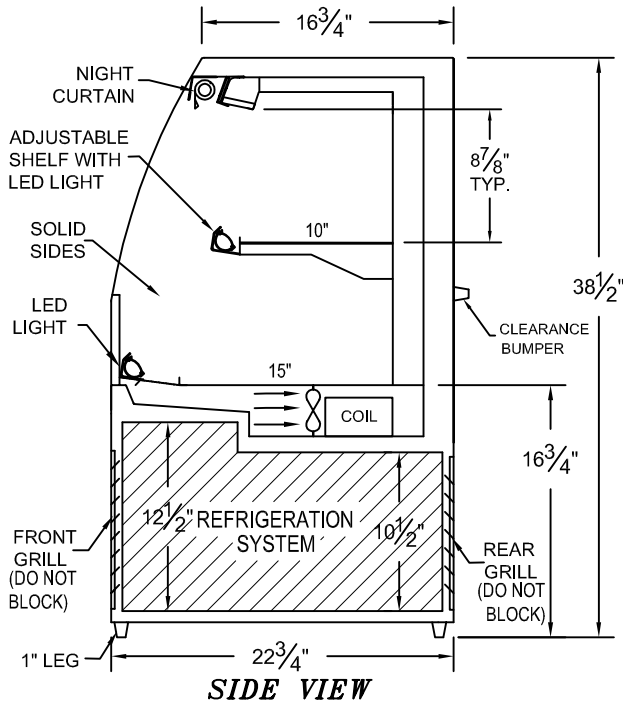


<b>PROJECT:</b>	<b>QTY:</b>	<b>ITEM No.</b>
-----------------	-------------	-----------------

# WC4239 MINIMESG4239 REFRIGERATED DISPLAY CASE

NOTE(s):  
 1- DISPLAY CASE MUST HAVE 6" CLEAR SPACE ON ALL SIDES.  
 2- DISPLAY CASE MUST NOT BE LOCATED IN DIRECT SUNLIGHT OR NEAR SOURCES OF AIR FLOW INCLUDING DOORS, WINDOWS AND VENTILATION SYSTEMS.



\* PICTURE FOR REFERENCE ONLY



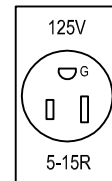
*Manufacturers of food service displays*

### SPECIFICATIONS

DIMENSIONS	MINIME SG4239	MODEL No.	MODEL No.	MODEL No.	MODEL No.	MODEL No.
Length (in)	42"	L	L	L	L	L
Depth (in)	22.75"	D	D	D	D	D
Height (in)	38.50"	H	H	H	H	H
ELECTRICAL						
Voltage	120	120	120	120	120	120
Amperes (Compressor and Light)	8.2	Amps.	Amps.	Amps.	Amps.	Amps.
Amperes (Elect. Cond. Pan needs separate circuit)	Amps.	Amps.	Amps.	Amps.	Amps.	Amps.
Power Cord	8 ft.	8 ft.	8 ft.	8 ft.	8 ft.	8 ft.

**NEMA Receptacle Configurations**

FOR COMPRESSOR & LIGHTS



### NOTES

All Specifications subject to change without notice.

This Design is the property of QBD Modular Systems Inc. No copies or reproductions are permitted without the written permission of QBD Modular Systems Inc.

\*\* All units are designed to operate under normal store conditions of 24°C (75°F) with 50 % relative humidity, and maintain the temperature between 35°F to 40°F.

\*\*Condensation on glass may occur in Hot / Humid conditions. QBD is not responsible for any consequential damages as a result.

\*\*QBD WARRANTY DOES NOT INCLUDE PRODUCT LOSS OR CONSEQUENTIAL DAMAGES HOWEVER CAUSED. Please review detailed warranty statement prior to purchase.



**QBD MODULAR SYSTEMS INC.** TEL: (905) 459-0709

31 BRAMSTEELE ROAD, BRAMPTON, ONTARIO, CANADA L6W 3K6

[WWW.QBD.COM](http://WWW.QBD.COM)

1-800-663-3005

FAX: (905) 459-1478

[info@qbd.com](mailto:info@qbd.com)

DR. BY: **Hesam**

DATE: **03/31/16**

FILE: **MINIMESG4239**