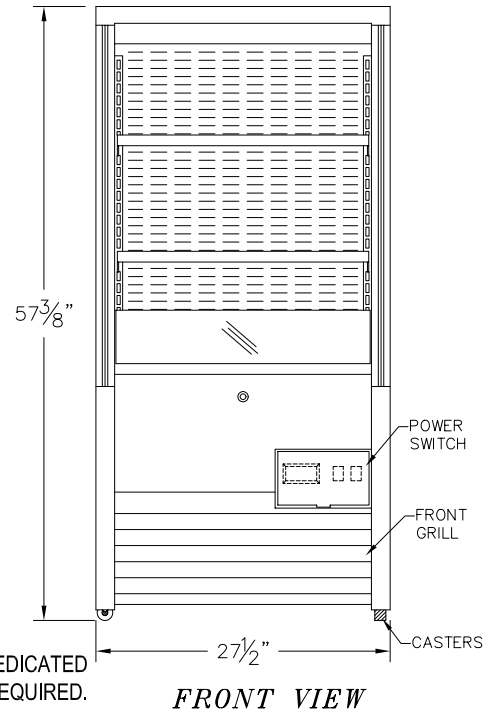
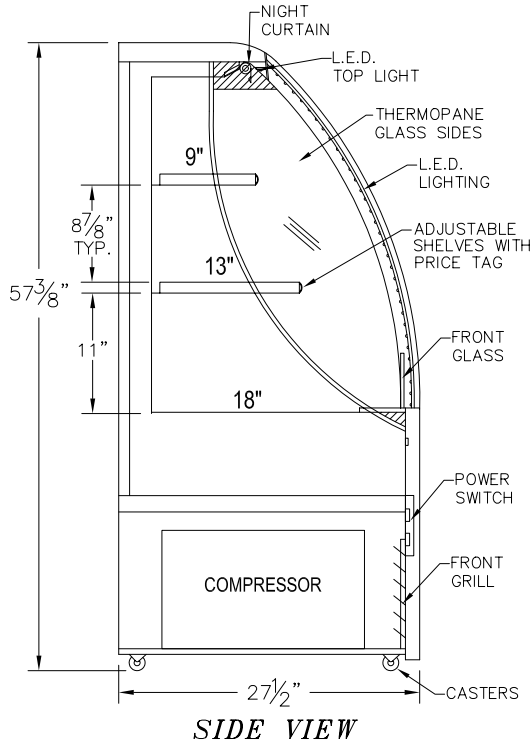


PROJECT:	QTY:	ITEM No.
----------	------	----------

# WC2858SP

## SELF SERVE REFRIGERATED WALL CASE



NOTE:  
\* 20 Amp. DEDICATED  
CIRCUIT REQUIRED.



*Manufacturers of food service displays*

### SPECIFICATIONS

DIMENSIONS	WC 2858SP	MODEL No.	MODEL No.	MODEL No.	MODEL No.	MODEL No.
Length (in)	27.50"	L	L	L	L	L
Depth (in)	27.50"	D	D	D	D	D
Height (in)	57.375"	H	H	H	H	H
ELECTRICAL						
Voltage	120	120	120	120	120	120
Amperes <small>(Compressor, Lights &amp; Elect. cond. Pan)</small>	16.6	Amps.	Amps.	Amps.	Amps.	Amps.
Power Cord	8 ft.	8 ft.	8 ft.	8 ft.	8 ft.	8 ft.

### NOTES

All Specifications subject to change without notice.

This Design is the property of QBD Modular Systems Inc. No copies or reproductions are permitted without the written permission of QBD Modular Systems Inc.

\*\* All units are designed to operate under normal store conditions of 24°C (75°F) with 50% relative humidity, and maintain the temperature between 35°F to 40°F.

\*\*Condensation on glass may occur in Hot/Humid conditions.QBD is not responsible for any consequential damages as a result.

\*\*QBD WARRANTY DOES NOT INCLUDE PRODUCT LOSS OR CONSEQUENTIAL DAMAGES HOWEVER CAUSED. Please review detailed warranty statement prior to purchase.



**QBD**

**MODULAR SYSTEMS INC.**

31 BRAMSTEELE ROAD, BRAMPTON, ONTARIO, CANADA L6W 3K6

[WWW.QBD.COM](http://WWW.QBD.COM)

1-800-663-3005

TEL: (905) 459-0709

FAX: (905) 459-1478

[info@qbd.com](mailto:info@qbd.com)

DR. BY: **Dave**

DATE: **11/ 12/ 10**

FILE: **WC2858SP**