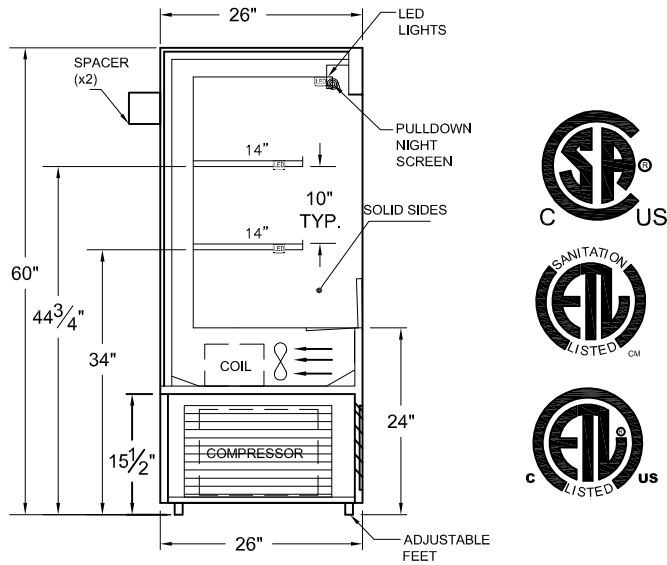


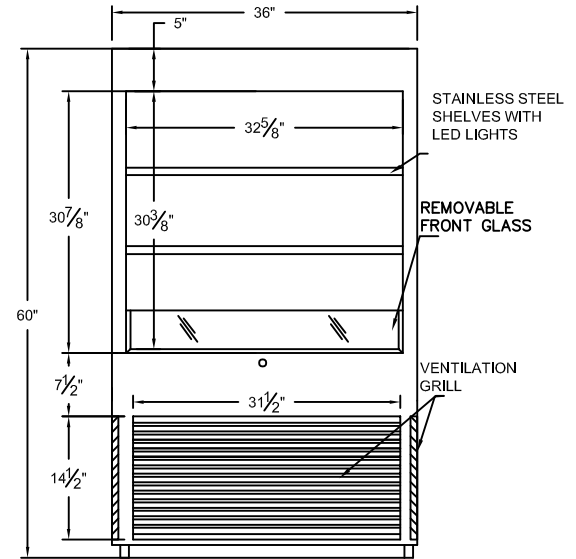
PROJECT:	QTY:	ITEM No.
-----------------	-------------	-----------------

WC3660SS

SELF-SERVE REFRIGERATED MERCHANDISER



SECTION



FRONT VIEW

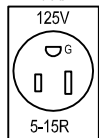
NOTE(s):
 DISPLAY CASE MUST NOT BE LOCATED IN DIRECT SUNLIGHT OR NEAR SOURCES OF AIR FLOW INCLUDING DOORS, WINDOWS AND VENTILATION SYSTEMS.

*** ALL DIMENSIONS ARE ± 1/8"**

* PICTURE FOR REFERENCE ONLY



Manufacturers of food service displays

SPECIFICATIONS							
DIMENSIONS	WC 3660SS	MODEL No.	MODEL No.	MODEL No.	MODEL No.	MODEL No.	MODEL No.
Length (in)	36"	L	L	L	L	L	L
Depth (in)	26"	D	D	D	D	D	D
Height (in)	60"	H	H	H	H	H	H
ELECTRICAL							
Voltage	120	120	120	120	120	120	120
Amperes <small>(Compressor and Light)</small>	10.6	Amps.	Amps.	Amps.	Amps.	Amps.	Amps.
Amperes <small>(Elect. Cond. Pan needs separate circuit)</small>	8.3	Amps.	Amps.	Amps.	Amps.	Amps.	Amps.
Power Cord	8 ft.	8 ft.	8 ft.	8 ft.	8 ft.	8 ft.	8 ft.
NEMA Receptacle Configurations				NOTES			
TWO SEPARATE POWER SUPPLY REQUIRED FOR ELECT. COND. PAN  5-15R				All Specifications subject to change without notice. This Design Is the property of QBD Modular Systems Inc.No copies or reproductions are permitted without the written permission of QBD Modular Systems Inc. ** All units are designed to operate under normal store conditions of 24°C(75°F) with 50% relative humidity, and maintain the temp. between 35°F to 40°F. **Condensation on glass may occur in Hot / Humid conditions.QBD is not responsible for any consequential damages as a result. **QBD WARRANTY DOES NOT INCLUDE PRODUCT LOSS OR CONSEQUENTIAL DAMAGES HOWEVER CAUSED. Please review detailed warranty statement prior to purchase.			



QBD MODULAR SYSTEMS INC.
 31 BRAMSTEELE ROAD, BRAMPTON, ONTARIO, CANADA L6W 3K6
WWW.QBD.COM

1-800-663-3005
TEL: (905) 459-0709
FAX: (905) 459-1478
info@qbd.com

DR. BY:	Hesam
DATE:	04/06/16
FILE:	WC3660SS-ST