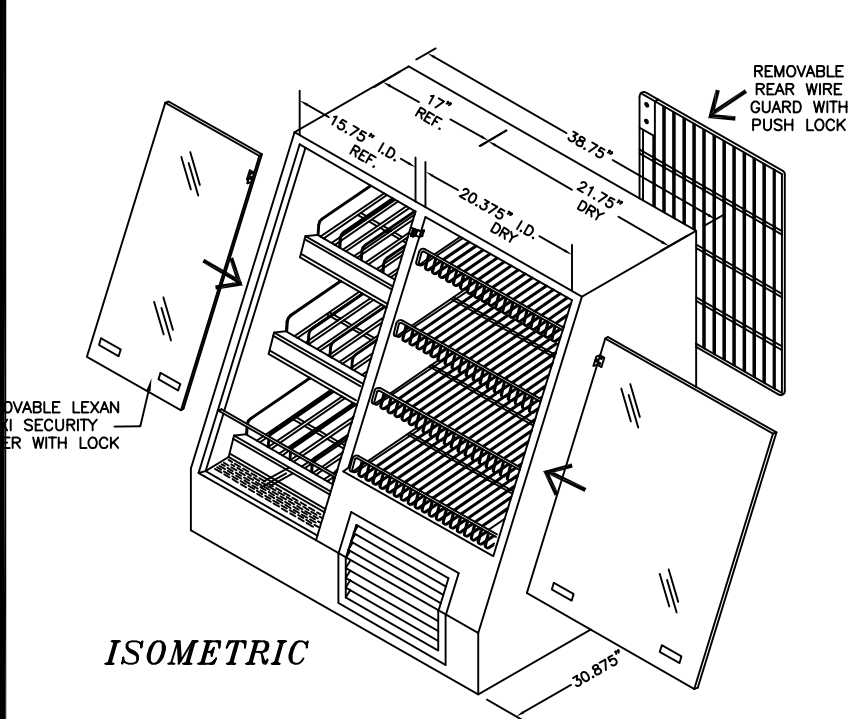
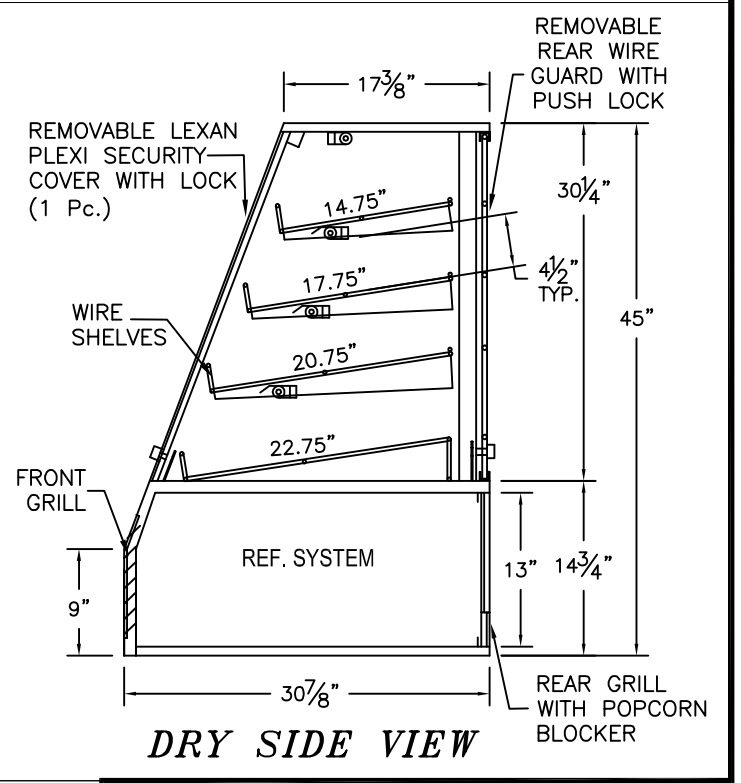
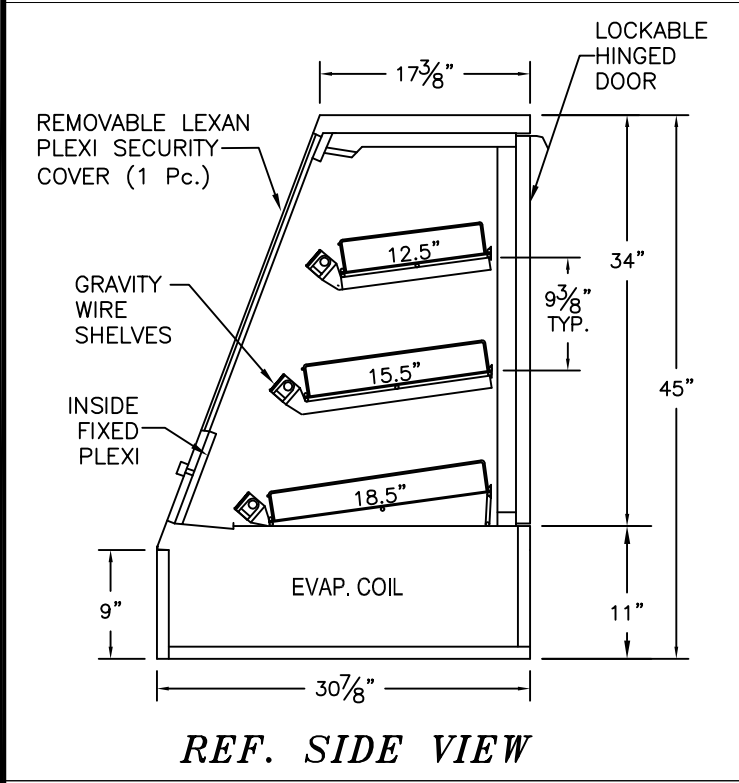


<b>PROJECT:</b>	<b>QTY:</b>	<b>ITEM No.</b>
-----------------	-------------	-----------------

# WC3945SS

## REFRIGERATED / DRY COMBO CASE



SPECIFICATIONS						
DIMENSIONS	WC 3945SS	MODEL No.	MODEL No.	MODEL No.	MODEL No.	MODEL No.
Length (in)	38.75"	L	L	L	L	L
Depth (in)	30.875"	D	D	D	D	D
Height (in)	45"	H	H	H	H	H
ELECTRICAL						
Voltage	120	120	120	120	120	120
Amperes (Compressor and Light)	8.6	Amps.	Amps.	Amps.	Amps.	Amps.
Amperes (Elect. Cond. Pan needs separate circuit)	Amps.	Amps.	Amps.	Amps.	Amps.	Amps.
Power Cord	8 ft.	8 ft.	8 ft.	8 ft.	8 ft.	8 ft.

NEMA Receptacle Configurations	NOTES
FOR COMPRESSOR & LIGHTS	<p>All Specifications subject to change without notice.</p> <p>This Design is the property of QBD Modular Systems Inc. No copies or reproductions are permitted without the written permission of QBD Modular Systems Inc.</p> <p>** All units are designed to operate under normal store conditions of 24°C(75°F) with 50% relative humidity, and maintain the temp. between 35°F to 40°F.</p> <p>**Condensation on glass may occur in Hot / Humid conditions. QBD is not responsible for any consequential damages as a result.</p> <p>**QBD WARRANTY DOES NOT INCLUDE PRODUCT LOSS OR CONSEQUENTIAL DAMAGES HOWEVER CAUSED. Please review detailed warranty statement prior to purchase.</p>

*Manufacturers of food service displays*

	<b>MODULAR SYSTEMS INC.</b> <small>31 BRAMSTEELE ROAD, BRAMPTON, ONTARIO, CANADA L6W 3K6</small> <a href="http://WWW.QBD.COM">WWW.QBD.COM</a>	<b>1-800-663-3005</b> TEL: (905) 459-0709 FAX: (905) 459-1478 <a href="mailto:info@qbd.com">info@qbd.com</a>	DR. BY: <b>Hesam</b> DATE: <b>06/02/15</b> FILE: <b>WC3945SS</b>
--	---	---	--