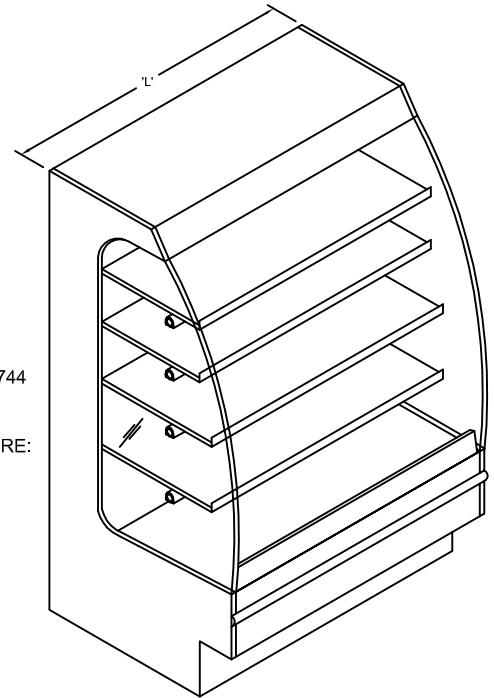
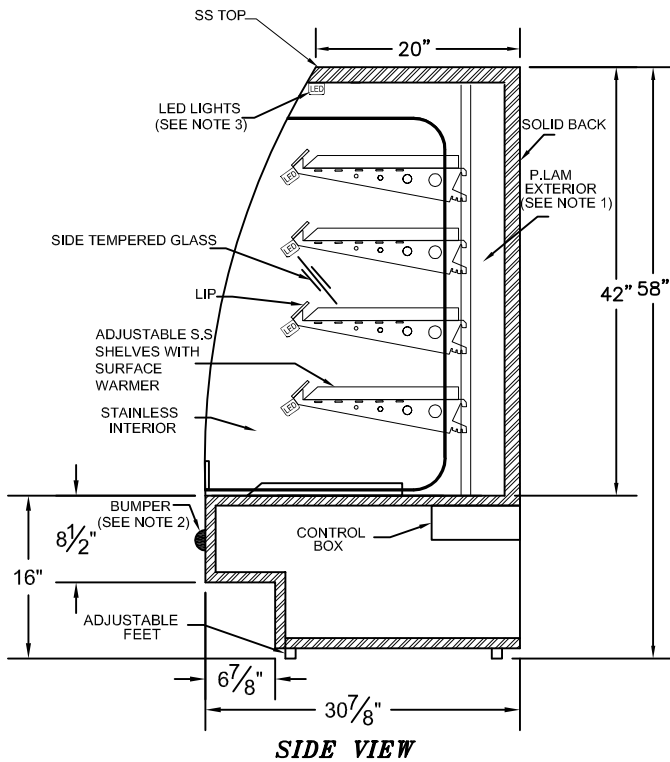


PROJECT:	QTY:	ITEM No.
----------	------	----------

# WC4858H

## HOT SELF-SERVE WALL CASE



**NOTES:**

1. P.LAM: UNIBOARD 744 INSPIRATION
2. BUMPER: BLACK
3. LIGHT TEMPERATURE: 3000K OR 3500K

**\* ALL DIMENSIONS ARE ± 1/8"**



*Manufacturers of food service displays*

### SPECIFICATIONS

DIMENSIONS	WC 4858H	MODEL No.	MODEL No.	MODEL No.	MODEL No.	MODEL No.
Length (in)	48.00"	L	L	L	L	L
Depth (in)	31.87"	D	D	D	D	D
Height (in)	58.00"	H	H	H	H	H
ELECTRICAL						
Voltage	208/240 60HZ-1PH	120	120	120	120	120
Amperes (Shelves and Lights)	20.0	Amps.	Amps.	Amps.	Amps.	Amps.
Amperes (Elect. Cond. Pan needs separate circuit)	Amps.	Amps.	Amps.	Amps.	Amps.	Amps.
Power Cord	DIRECT	8 ft.	8 ft.	8 ft.	8 ft.	8 ft.

NEMA Receptacle Configurations	NOTES
DIRECT HOOK UP	All Specifications subject to change without notice.
	This Design is the property of QBD Modular Systems Inc. No copies or reproductions are permitted without the written permission of QBD Modular Systems Inc.  ** All units are designed to operate under normal store conditions of 24°C(75°F) with 50% relative humidity, **Condensation on glass may occur in Hot / Humid conditions.QBD is not responsible for any consequential damages as a result. **QBD WARRANTY DOES NOT INCLUDE PRODUCT LOSS OR CONSEQUENTIAL DAMAGES HOWEVER CAUSED. Please review detailed warranty statement prior to purchase.



**QBD**

**MODULAR SYSTEMS INC.**

31 BRAMSTEELE ROAD, BRAMPTON, ONTARIO, CANADA L6W 3K6

[WWW.QBD.COM](http://www.qbd.com)

1-800-663-3005

TEL: (905) 459-0709

FAX: (905) 459-1478

[info@qbd.com](mailto:info@qbd.com)

DR. BY: **HESAM**

DATE: **10 /06 /15**

FILE: **WC4858H**