

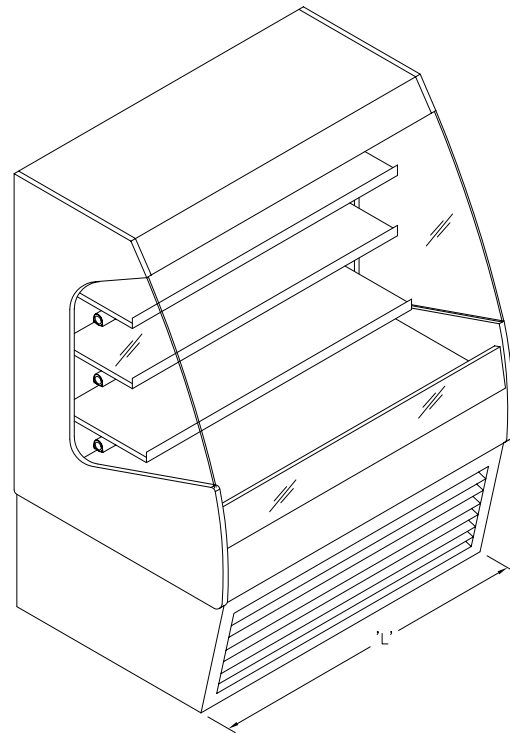
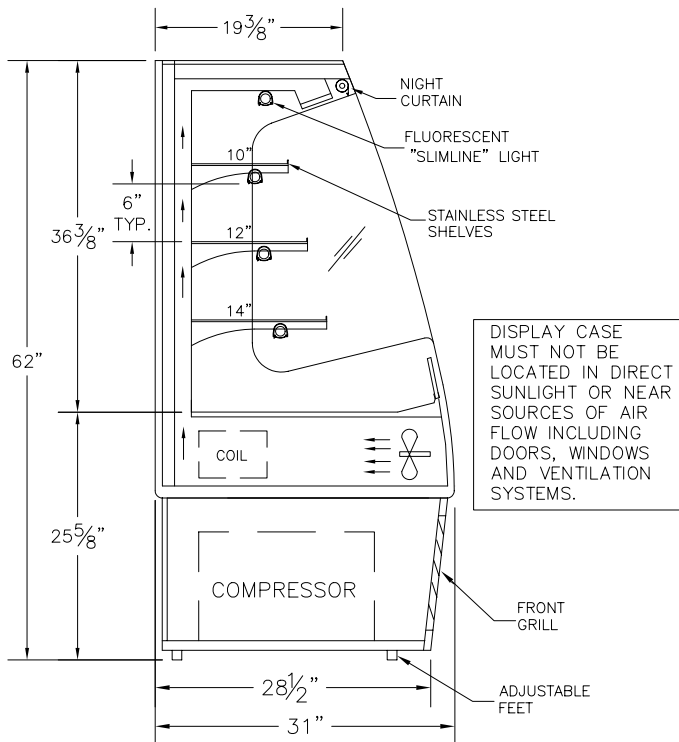
PROJECT:

QTY:

ITEM No.

WCXX62

REFRIGERATED SELF SERVE WALL CASE



NOTE:
20 AMP. DEDICATED CIRCUIT REQUIRED.
L = 72" & 96" REQUIRED DIRECT DRAIN



Manufacturers of food service displays

SPECIFICATIONS

DIMENSIONS	WC	WC	WC	WC	WC	MODEL No.
	3662	4862	6062	7262	9662	
Length (in)	36"	48"	60"	72"	96"	L
Depth (in)	31"	31"	31"	31"	31"	D
Height (in)	62"	62"	62"	62"	62"	H
ELECTRICAL						
Voltage	120	120	120/240	120/240	120	120
Amperes (Compressor and Light)	13.6	16.2	15.6	16.2	14.2 REMOTE	Amps.
Amperes (Elect. Cond. Pan needs separate circuit)	8.4	8.4	8.4	DIRECT DRAIN	DIRECT DRAIN	Amps.
Power Cord	8 ft.	8 ft.	8 ft.	8 ft.	8 ft.	8 ft.

NOTES

All Specifications subject to change without notice.

This Design is the property of QBD Modular Systems Inc. No copies or reproductions are permitted without the written permission of QBD Modular Systems Inc.

** All units are designed to operate under normal store conditions of 24°C (75°F) with 50% relative humidity, and maintain the temperature between 35°F to 40°F.

**Condensation on glass may occur in Hot/Humid conditions.QBD is not responsible for any consequential damages as a result.

**QBD WARRANTY DOES NOT INCLUDE PRODUCT LOSS OR CONSEQUENTIAL DAMAGES HOWEVER CAUSED. Please review detailed warranty statement prior to purchase.



QBD MODULAR SYSTEMS INC.

31 BRAMSTEELE ROAD, BRAMPTON, ONTARIO, CANADA L6W 3K6

WWW.QBD.COM

1-800-663-3005

TEL: (905) 459-0709

FAX: (905) 459-1478

info@qbd.com

DR. BY: **Dave**

DATE: **02 / 11 / 11**

FILE: **WCXX62**